

REVISION RECORD				
REV	ECN	DESCRIPTION	DRFT	DATE

NOTES1:
 UL Standard
 1. Rated voltage/current : 300V / 16A
 2. Withstanding voltage : AC1600V/1Min.
 3. Ratings : Use group B,C 300V AC/DC
 Use group D 600V AC/DC

IEC Standard

1. Pollution degree	2	2	3
Overvoltage category	II	III	III
Rate impulse voltage(KV)	6KV	6KV	6KV
Rate voltage(V)	1000V	630V	500V
Rate current(A)	20A		

NOTES2:
 1. Dimension shall be interpreted per ASME Y14.5-2009
 2. Pitch : 7.50mm, Poles : N=02~12P
 3. Operating temperature: -40°C~+130°C
 4. Undimensioned tolerances:

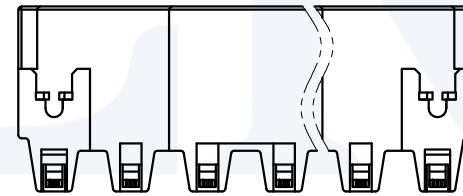
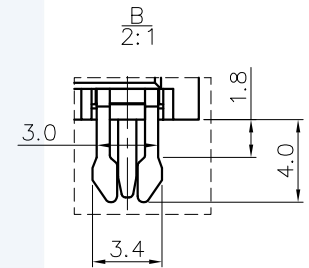
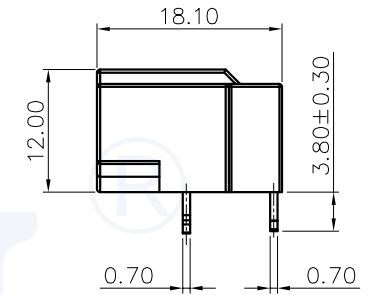
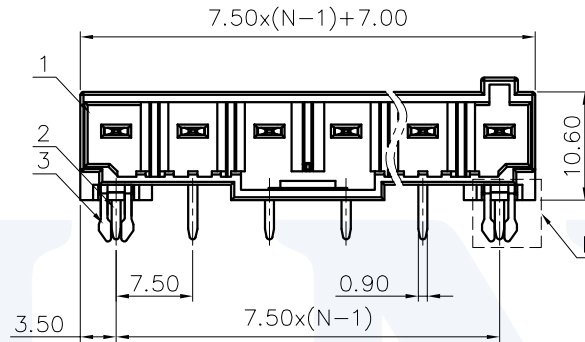
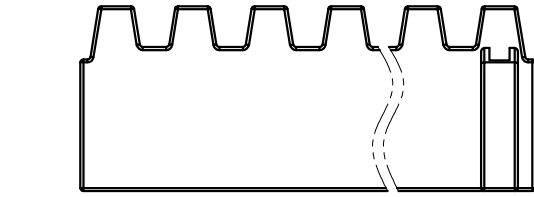
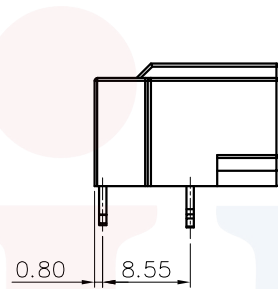
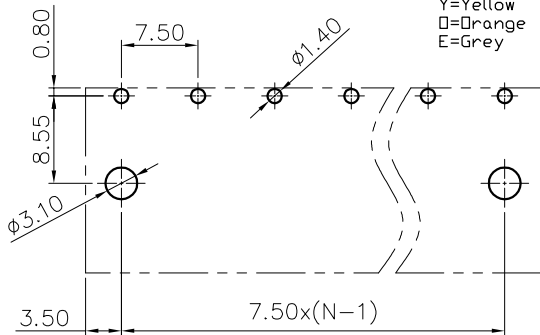
Pitch range in mm		Nominal dimension range in mm				- / /	
To	Over	To	Over	To	Over	0.1/10	<
6	10	30	60	100	150		
±0.15	±0.20	±0.30	±0.50	±0.70	±1.00	±1.30	±2'

5. RoHS Compliance

Ordering Information

JL9EDGRC - 750 XX B 0 1

- Pitch 750=7.50PH
- No. of pins 2P~15P
- Housing Color
 B=Black
 G=Green
 U=Blue
 R=Red
 W=White
 Y=Yellow
 O=Orange
 E=Grey
- Packing
 O=Pe bag
 A=Tray
 T=Tube



5	Clamp	Copper alloy	Sn Plated
4	Screw	Steel	M3/Zn Plated
3	Cage	Copper alloy	M3/Ni Plated
2	Spring	Stainless Steel	
1	Housing	PA66	UL94V-0
ITEM	NAME OF PART	MATERIAL	NOTES

DRAW	LICHAO LIU	SCALE	FIT
CHECK	LICHAO LIU	UNIT	mm
APPROVE	G. Y. L	SIZE	A4
		SHEET	1/1
		PROJ.	

JILN 东莞市锦凌电子有限公司
 DONGGUAN JINLING ELECTRONIC CO.,LTD

PART NO. JL9EDGRC-750XXB01
 TITLE: JL9EDGRC-7.5公端/接线端子台