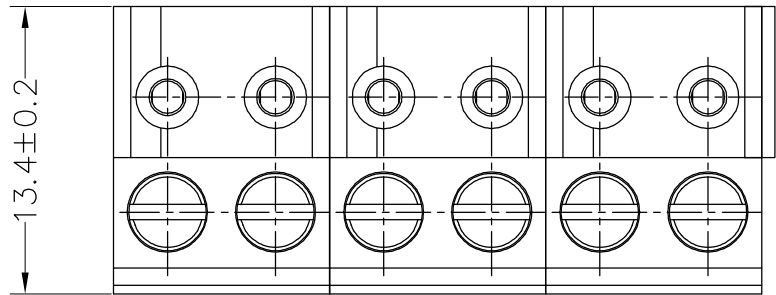


REVISION RECORD				
REV	ECN	DESCRIPTION	DRFT	DATE
AO		NEW		21.07.26

SPECIFICATIONS

Rated(额定参数): 300V,10A
 Dielectric strength(抗电强度): AC2000V/1 Minute
 Insulation Resistance(绝缘电阻):1000MΩ Min
 Contact Resistance(接触电阻):20mΩ Max
 Screw Torque(扭矩): 0.4Nm (3.5Lb.in)
 Wire Range(线径):16~28AWG
 Strip length(剥线长度):5~6mm
 Temp. range(操作温度): -40℃~+105℃
 MAX Soldering(瞬时温度):+250℃,5s

Housing Material(塑件): PA66 (UL94 V-0)
 Contact(端子): Brass, Tin plating(黄铜镀锡)
 Clamp(方块): Brass/Steel(铜/铁), Ni plating(镀镍)
 Screw(螺丝): M2.5, Steel, Zinc plating(钢,镀锌)



PITCH RANGE IN MM			NOMINAL DIMENSION RANGE IN MM				
TO 6	OVER 6	OVER 10	TO 30	OVER 30	OVER 60	OVER 100	OVER 150
	TO 10	TO 24		TO 60	TO 100	TO 150	
±0.10	±0.15	±0.25	±0.30	±0.30	±0.50	±0.70	±1.00

Ordering Information

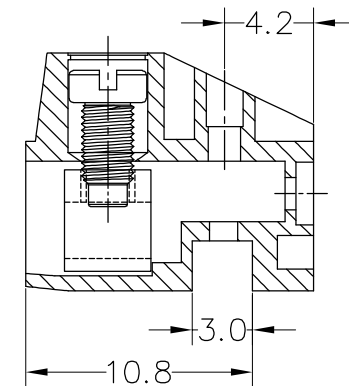
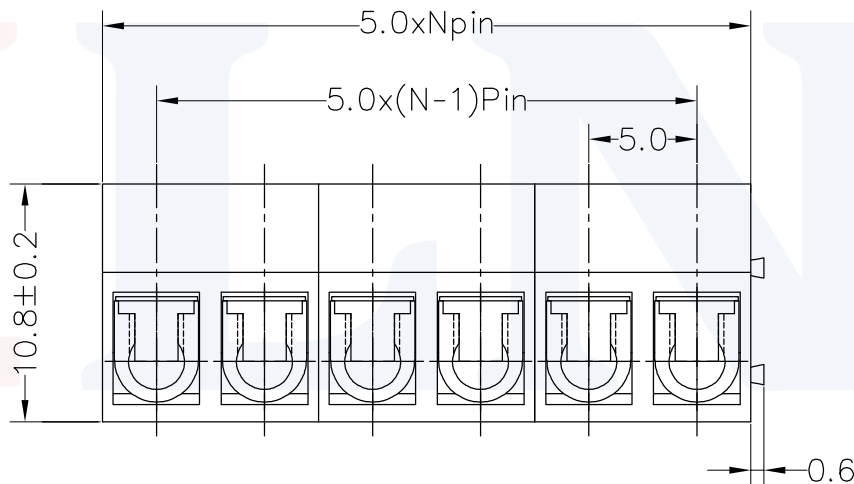
JL 332K - 500 XX U 0 1

Pitch
500=5.0PH

No. of pins
2P,3P,4P~24P

Housing Color
B=Black
G=Green
U=Blue
R=Red
W=White
Y=Yellow
O=Orange
E=Grey

Packing
O=Pe bag
T=Tube
A=Tray



DRAW	SHUANGPING ZHENG	SCALE	FIT	东莞市锦凌电子有限公司 DONGGUAN JINLING ELECTRONIC CO.,LTD	
		UNIT	mm		
CHECK	LICHAO LIU	SIZE	A4		
		SHEET	1/1		
APPROVE	YONGLIANG GAO	PROJ.		PART NO.	JL332K-500XXU01
				TITLE:	JL332K-5.0-XXP螺钉式端子台/PA66/蓝色