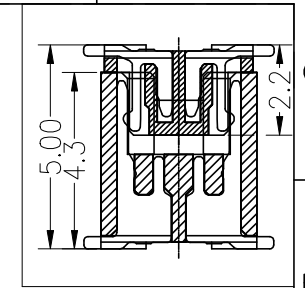
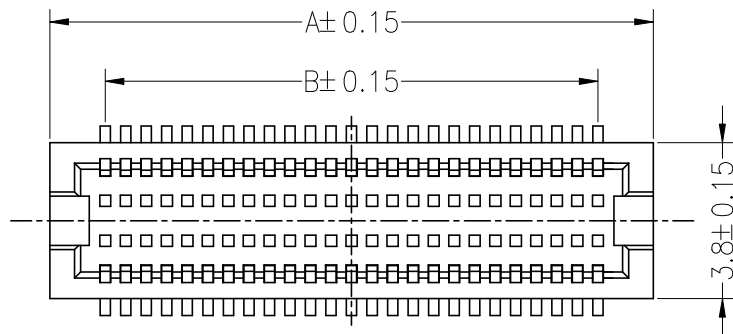


HSF RoHS

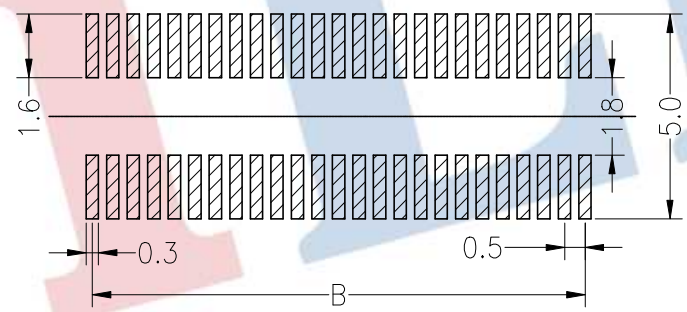
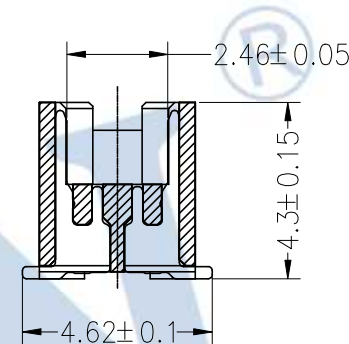
SPECIFICATIONS

PERFORMANCE

Current rating: 0.5A
 Voltage rating: 50V DC/AC RMS
 Insulation Resistance: 500MΩ Min
 Withstanding voltage: 200V AC/1 minute
 Contact Resistance: 30mΩ Max
 Operating Temperature: -40°C to +105°C
 Contact Material: Phosphor Bronze
 Contact Plating: Au or Sn over Ni
 Insulation Material: PA46, UL94V-0
 Soldering temperature: 260°C±5° 5S



ASSEMBLY



Recommended P.C.B Layout(Top Side)
 (PCB BOARD TOLERANCE±0.05)

NO. OF Contacts	Dimensions	
	A	B
20pin	7.20	4.50
30pin	9.70	7.00
32pin	10.20	7.50
36pin	11.20	8.50
40pin	12.20	9.50
50pin	14.70	12.00
60pin	17.20	14.50
80pin	22.20	19.50
100pin	27.20	24.50

Ordering Information

3720 F XXX 043 XX X X 0X

F=Female M=Male
 No. of pins 20~100P
 Plastic Height 043=4.3mm
 Contact Plating G0:Gold Flash G1:3U" Gold G2:5U" Gold G3:10U" Gold G4:15U" Gold G5:30U" Gold S0:Gold Flash/Tin
 Insulator Material Option D=BK-PA46 F=BK-LCP
 Packing T=Tube R=Reel
 code string 01~99

A	REV	DATE	MODIFICATION DESCRIPTION	CHANGE	OPERATION	DRAW	Jelly Feng	22.07.02	SCALE	FIT	JILN ® 深圳市锦凌电子有限公司 SHENZHEN JINLING ELECTRONICS CO.,LTD Tel: 86-755-2997-5806/5802 Fax: 86-755-2997-5992
	X.X	±0.30	NEW DRAWING		UNIT				mm		
	X.XX	±0.20			CHECK				SIZE	A4	
	X.XXX	±0.10			APPROVE				SHEET	1/1	
	Angle	±3°	PROJ.						PART NO.	3720FXXX043XXXX0X	
DIM	TOL	TITLE:	0.5BTB NPin H4.3 Female								