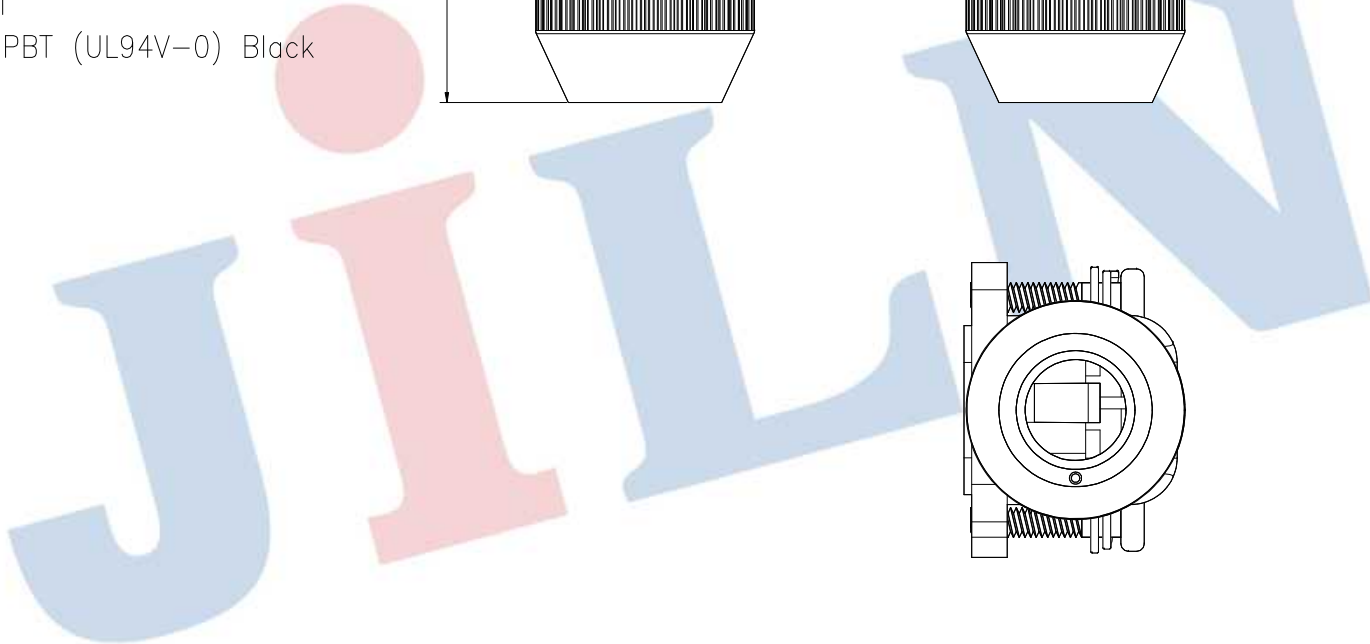
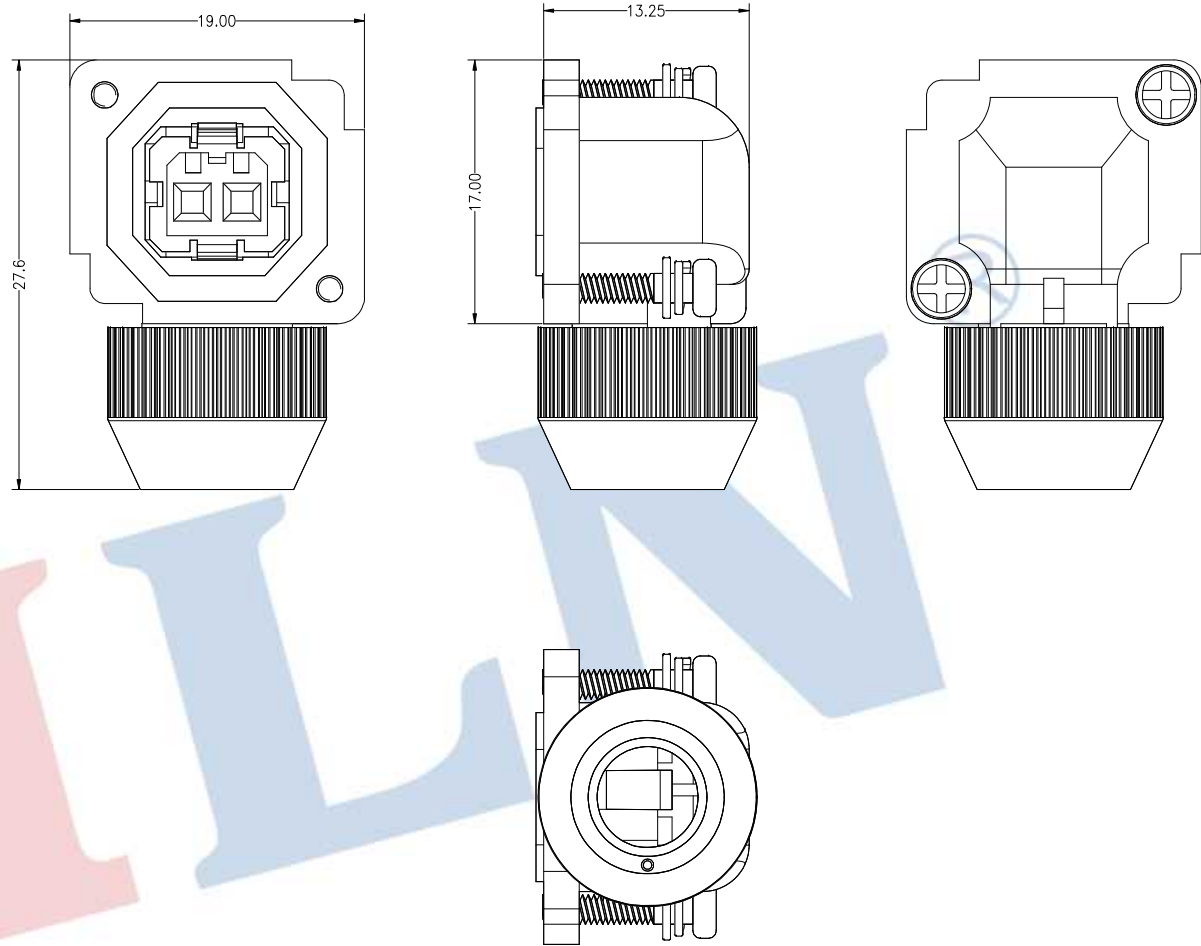


HSF RoHS

Note:

Current Rating: 7A max.
 Voltage Rating: 200 VAC.
 Insulation Resistance:>1000 MΩ at 500VDC
 Withstand Voltage:1500VAC for 1 minute
 Contact Resistance: 10 mΩ **MAX**
 Operation Temperature:-40°C to +125°C

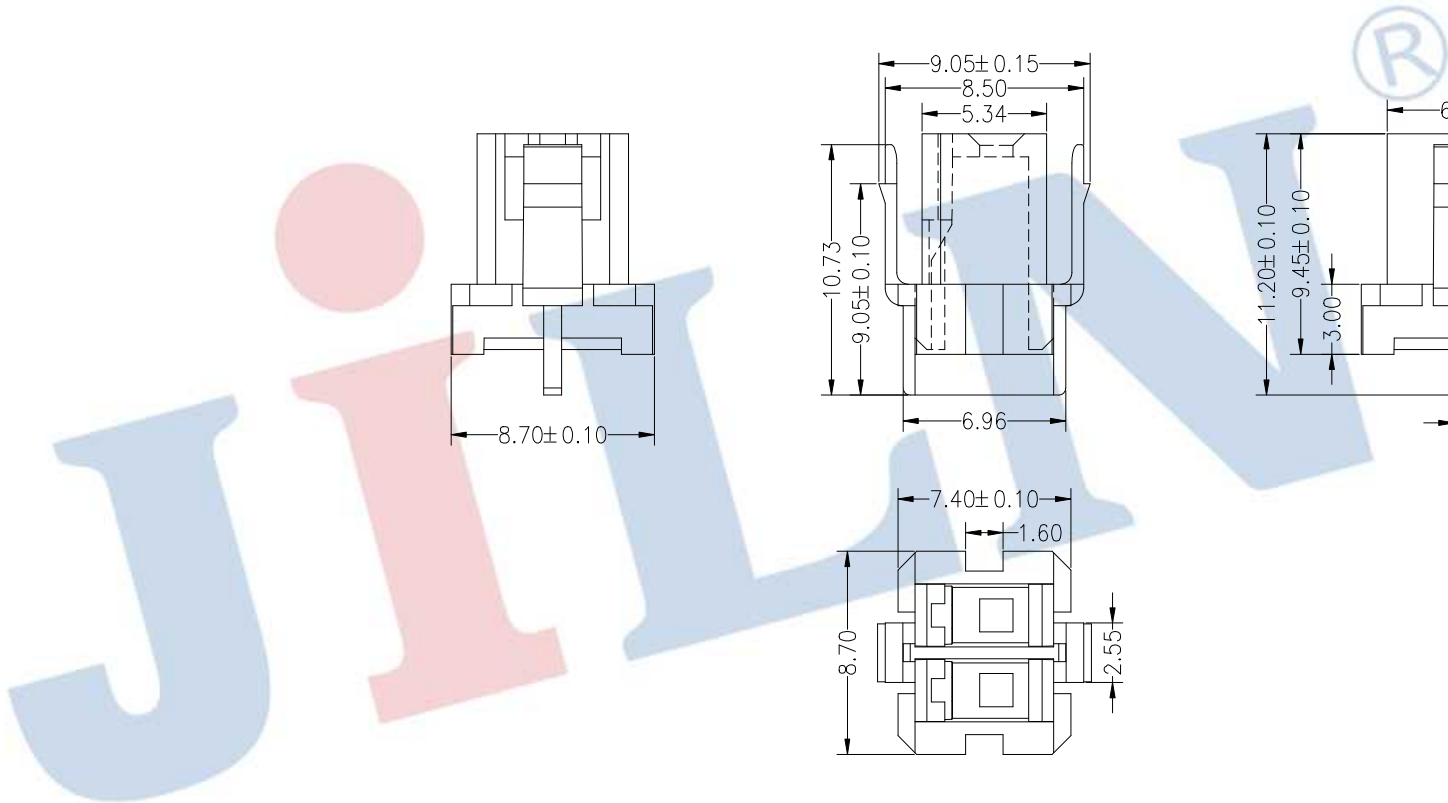
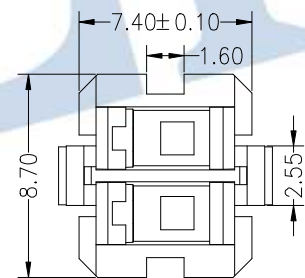
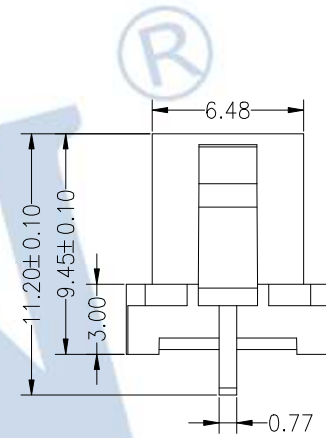
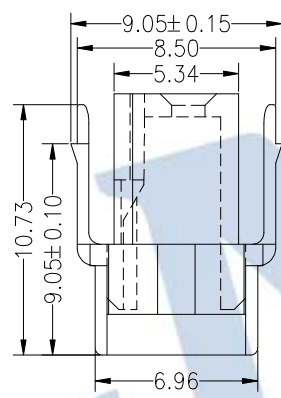
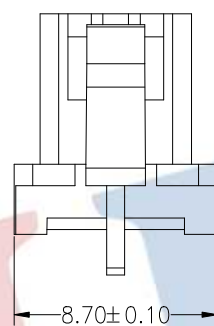
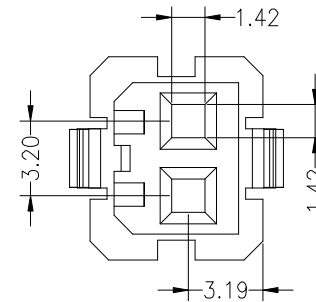
Applicable Cable: AWG#20 to #22
 Contact Material:Copper Alloy
 Plating: Au over Ni
 Insulator Material:PBT (UL94V-0) Black



				OPERATION		DRAW	Jelly Feng	22.11.15	SCALE	FIT	JILN ® 深圳市锦凌电子有限公司 SHENZHEN JINLING ELECTRONICS CO.,LTD Tel: 86-755-2997-5806/5802 Fax: 86-755-2997-5992	
				X.X	±0.30				UNIT	mm		
				X.XX	±0.20	CHECK		SIZE	A4	PART NO. 6312F-02SG2PA0X		
				X.XXX	±0.10		SHEET	1/1				
A0	2022.11.15	NEW DRAWING		Angle	±3°	APPROVE		PROJ.	◆	TITLE:	SM-2芯伺服防水插头	
REV	DATE	MODIFICATION DESCRIPTION	CHANGE	DIM	TOL							
1	2	3	4	5	6	7	8	9				

HSF RoHS

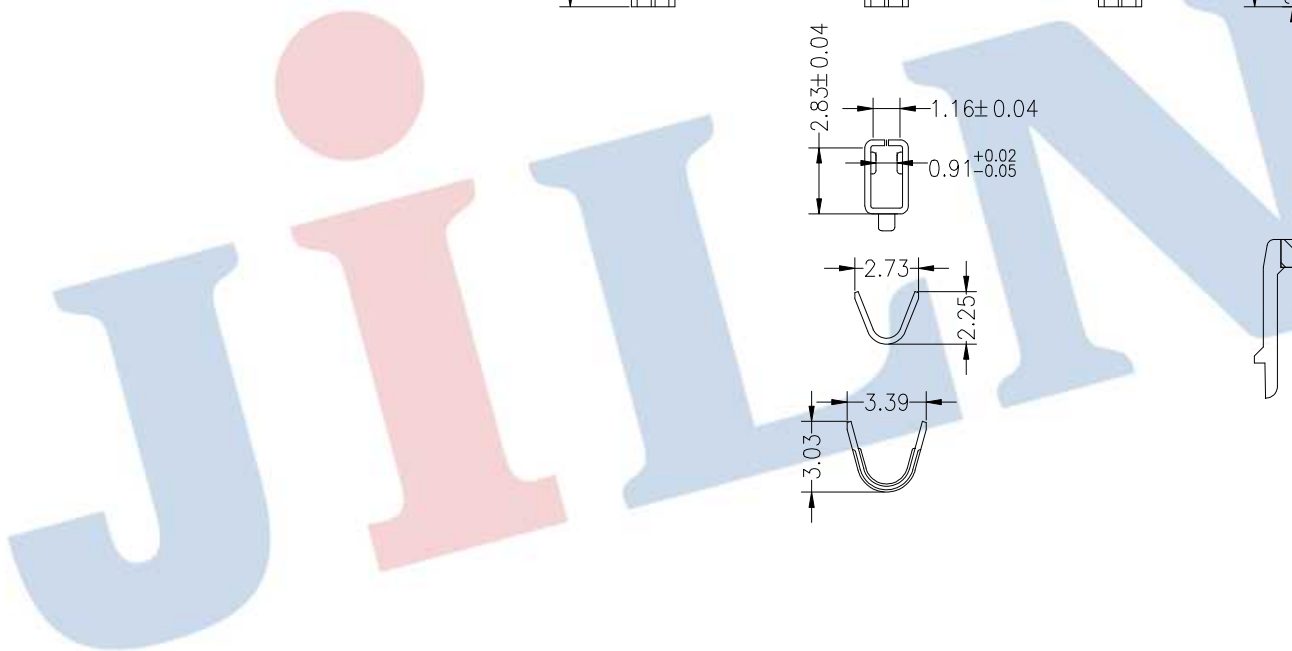
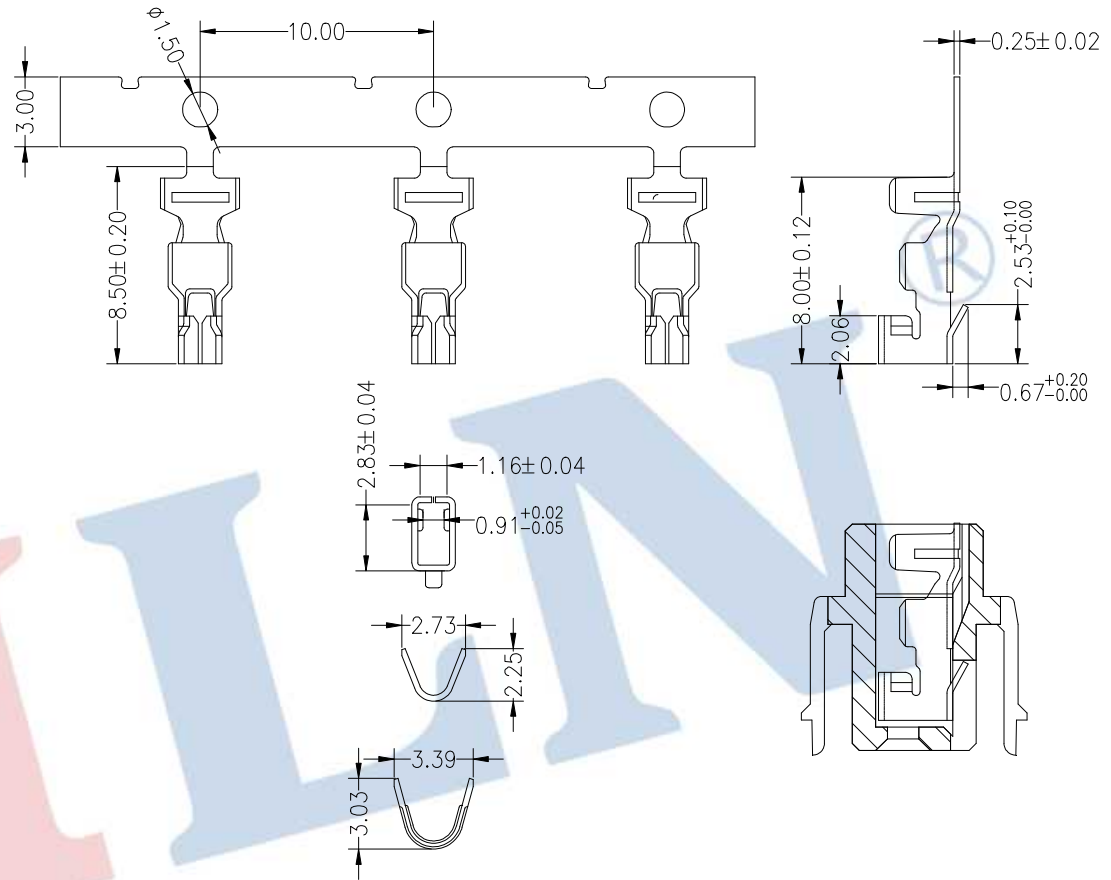
NOTE:
Material:PBT (UL94V-0) Black



				OPERATION		DRAW	Jelly Feng	22.11.15	SCALE	FIT	JILN ® 深圳市锦凌电子有限公司 SHENZHEN JINLING ELECTRONICS CO.,LTD Tel: 86-755-2997-5806/5802 Fax: 86-755-2997-5992	
				X.X	±0.30							
				X.XX	±0.20	APPROVE	SIZE	A4	PART NO.	201.6312002MA101		
				X.XXX	±0.10		PROJ.	SHEET	1/1	TITLE:	SM-2芯 主体	
REV	DATE	MODIFICATION DESCRIPTION	CHANGE	DIM	TOL							
1	2	3	4	5	6	7	8	9				

HSF RoHS

NOTE:
Material: Phosphor Bronze

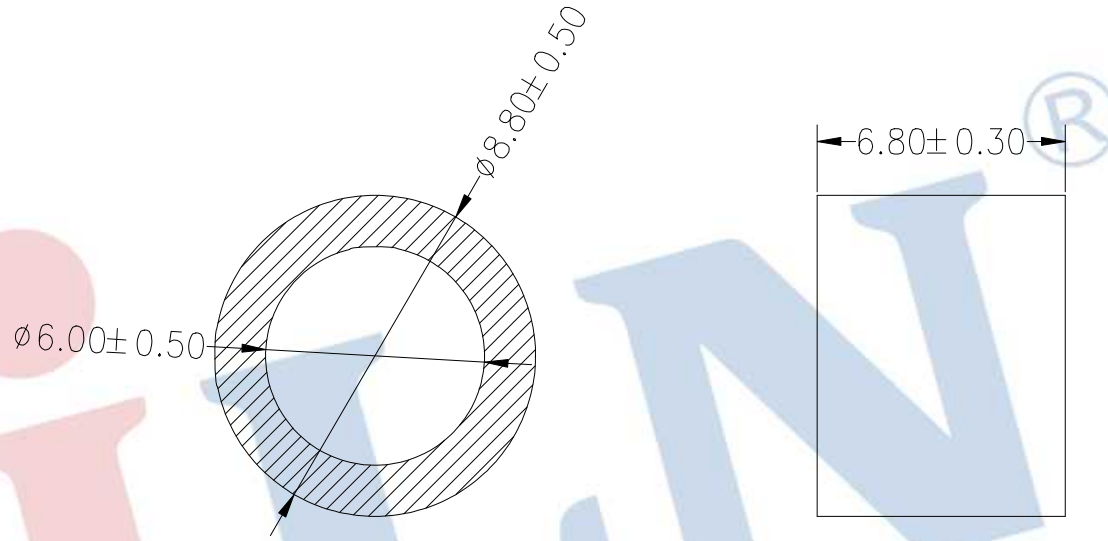


				OPERATION		DRAW	Jelly Feng	22.11.15	SCALE	FIT	JILN ® 深圳市锦凌电子有限公司 SHENZHEN JINLING ELECTRONICS CO.,LTD Tel: 86-755-2997-5806/5802 Fax: 86-755-2997-5992	
				X.X	± 0.30				UNIT	mm		
				X.XX	± 0.20	CHECK		SIZE	A4	PART NO. 202.6312F0102P01		
				X.XXX	± 0.10		SHEET	1/1				
A0	2022.11.15	NEW DRAWING		Angle	± 3°	APPROVE		PROJ.	◆	TITLE:	SM-4芯 母头端子	
REV	DATE	MODIFICATION DESCRIPTION	CHANGE	DIM	TOL							

	1	2	3	4	5	6	7	8	9																																																														
G	HSF RoHS																																																																						
F	NOTE: Material: Phosphor Bronze																																																																						
E																																																																							
D																																																																							
C																																																																							
B																																																																							
A	<table border="1"> <tr> <td colspan="4"></td> <td colspan="2">OPERATION</td> <td rowspan="2">DRAW</td> <td rowspan="2">Jelly Feng</td> <td rowspan="2">22.11.15</td> <td>SCALE</td> <td>FIT</td> <td colspan="2" rowspan="2"> JILN® 深圳市锦凌电子有限公司 SHENZHEN JINLING ELECTRONICS CO.,LTD Tel: 86-755-2997-5806/5802 Fax: 86-755-2997-5992 </td> </tr> <tr> <td colspan="4"></td> <td>X.X</td> <td>± 0.30</td> <td>UNIT</td> <td>mm</td> </tr> <tr> <td colspan="4"></td> <td>X.XX</td> <td>± 0.20</td> <td rowspan="2">CHECK</td> <td></td> <td>SIZE</td> <td>A4</td> <td colspan="2" rowspan="2">PART NO. 202.6312F0102P01</td> </tr> <tr> <td colspan="4"></td> <td>X.XXX</td> <td>± 0.10</td> <td>SHEET</td> <td>1/1</td> </tr> <tr> <td>A0</td> <td>2022.11.15</td> <td>NEW DRAWING</td> <td></td> <td>Angle</td> <td>± 3°</td> <td rowspan="2">APPROVE</td> <td></td> <td>PROJ.</td> <td>◆</td> <td>TITLE:</td> <td colspan="2" rowspan="2">SM-4芯 母头端子</td> </tr> <tr> <td>REV</td> <td>DATE</td> <td>MODIFICATION DESCRIPTION</td> <td>CHANGE</td> <td>DIM</td> <td>TOL</td> <td></td> <td></td> </tr> </table>													OPERATION		DRAW	Jelly Feng	22.11.15	SCALE	FIT	JILN ® 深圳市锦凌电子有限公司 SHENZHEN JINLING ELECTRONICS CO.,LTD Tel: 86-755-2997-5806/5802 Fax: 86-755-2997-5992						X.X	± 0.30	UNIT	mm					X.XX	± 0.20	CHECK		SIZE	A4	PART NO. 202.6312F0102P01						X.XXX	± 0.10	SHEET	1/1	A0	2022.11.15	NEW DRAWING		Angle	± 3°	APPROVE		PROJ.	◆	TITLE:	SM-4芯 母头端子		REV	DATE	MODIFICATION DESCRIPTION	CHANGE	DIM	TOL		
				OPERATION		DRAW	Jelly Feng	22.11.15	SCALE	FIT	JILN ® 深圳市锦凌电子有限公司 SHENZHEN JINLING ELECTRONICS CO.,LTD Tel: 86-755-2997-5806/5802 Fax: 86-755-2997-5992																																																												
				X.X	± 0.30				UNIT	mm																																																													
				X.XX	± 0.20	CHECK		SIZE	A4	PART NO. 202.6312F0102P01																																																													
				X.XXX	± 0.10		SHEET	1/1																																																															
A0	2022.11.15	NEW DRAWING		Angle	± 3°	APPROVE		PROJ.	◆	TITLE:	SM-4芯 母头端子																																																												
REV	DATE	MODIFICATION DESCRIPTION	CHANGE	DIM	TOL																																																																		
	1	2	3	4	5	6	7	8	9																																																														

HSF RoHS

Note:
1.Material: EPDM Black.



				OPERATION	DRAW	Jelly Feng	22.11.15	SCALE	FIT	JILN ® 深圳市锦凌电子有限公司 SHENZHEN JINLING ELECTRONICS CO.,LTD Tel: 86-755-2997-5806/5802 Fax: 86-755-2997-5992	
				X.X ±0.30				UNIT	mm		
				X.XX ±0.20	CHECK			SIZE	A4	PART NO. 220.F012	
				X.XXX ±0.10				SHEET	1/1	TITLE: 黑色硅胶圈 (SM-2芯)	
				Angle ±3°	APPROVE			PROJ.	☯		
				DIM TOL							

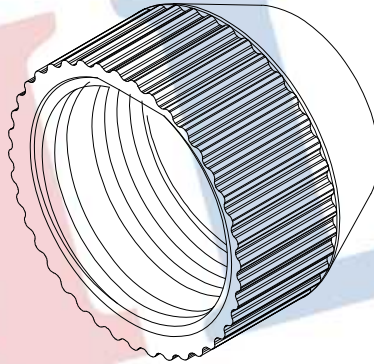
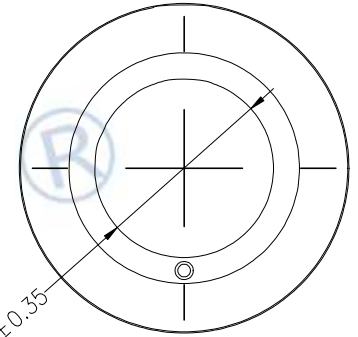
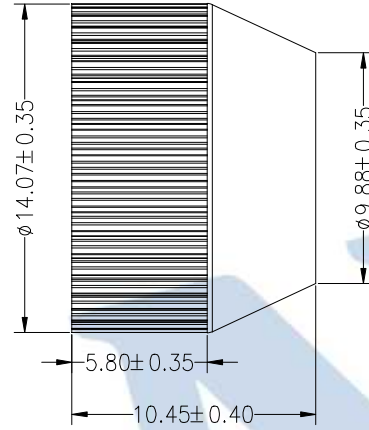
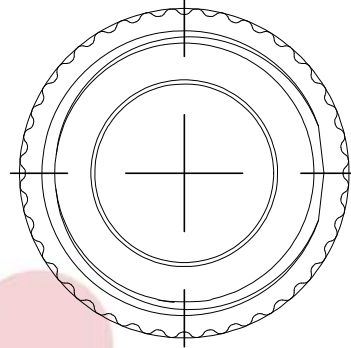
A

A

1	2	3	4	5	6	7	8	9
G								G
F								F
E								E
D								D
C								C
B								B
1	2	3	4	5	6	7	8	9

HSF RoHS

NOTE:
Material:PBT (UL94V-0)



				OPERATION		DRAW	Jelly Feng	22.11.15	SCALE	FIT	JILN ® 深圳市锦凌电子有限公司 SHENZHEN JINLING ELECTRONICS CO.,LTD Tel: 86-755-2997-5806/5802 Fax: 86-755-2997-5992	
				X.X	±0.30				UNIT	mm		
				X.XX	±0.20	CHECK			SIZE	A4	PART NO. 201.6312000MA601	
				X.XXX	±0.10				SHEET	1/1	TITLE: SM 螺丝帽	
A	A0	2022.11.15	NEW DRAWING	Angle	±3°	APPROVE			PROJ.			
	REV	DATE	MODIFICATION DESCRIPTION	DIM	TOL							

1 2 3 4 5 6 7 8 9