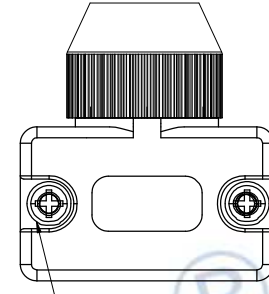
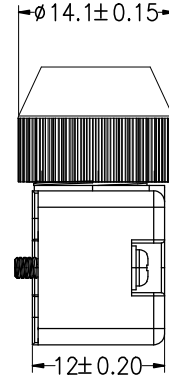
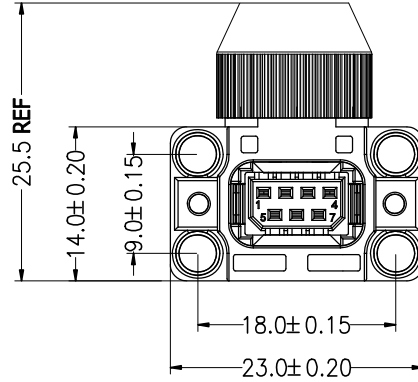


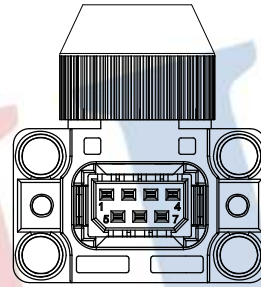
HSF RoHS

Note:
 Current Rating: 1A ma.
 Voltage Rating: 100 VAC.
 Insulation Resistance:>1000 MΩ at @500VDC
 Withstand Voltage:500VAC for 1 minute
 Contact Resistance: 10 mΩ MAX
 Operation Temperature:-40°C to +125°C

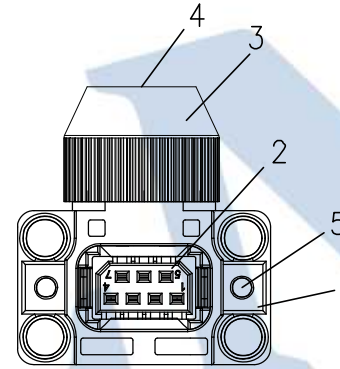
applicable Cable:
 AWG#26 to #22
 Coated outer dia:1.1 to 1.4 dia
 Cable outer dia: 6.0 to 6.8 dia
 Contact Material:Copper Alloy
 Contact Plating:Gold flash
 Insulator Material:PA46 (UL94V-0) Black



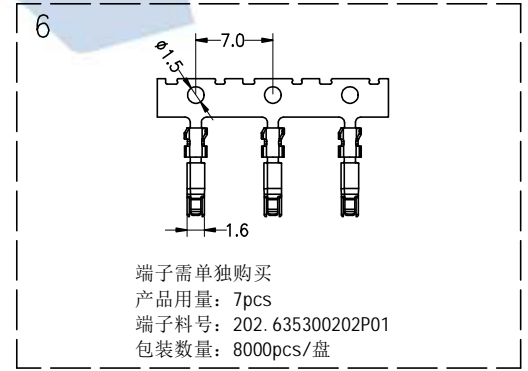
1. M2螺丝要求对应使用1#螺丝刀头。
2. 破坏扭力为0.3 N.m(Max), 建议使用扭力0.15 ±0.015N



正向出线样式



反向出线样式



NO.	NAME	Q'TY	MATERIAL	DESCRIPTION
1	Outside shell(外壳)	1	PA66 UL94V0	Black
2	Housing(主体)	1	PA46 UL94V0	Black
3	Nut(螺母)	1	PBT UL94V0	Black
4	Waterproof ring(防水圈)	1	PBT UL94V0	Black(9.4*6.3)
5	Screw(螺丝)	2	Stainless steel	M2*12
6	Brake Contact	2	Copper Alloy	Plating Gold

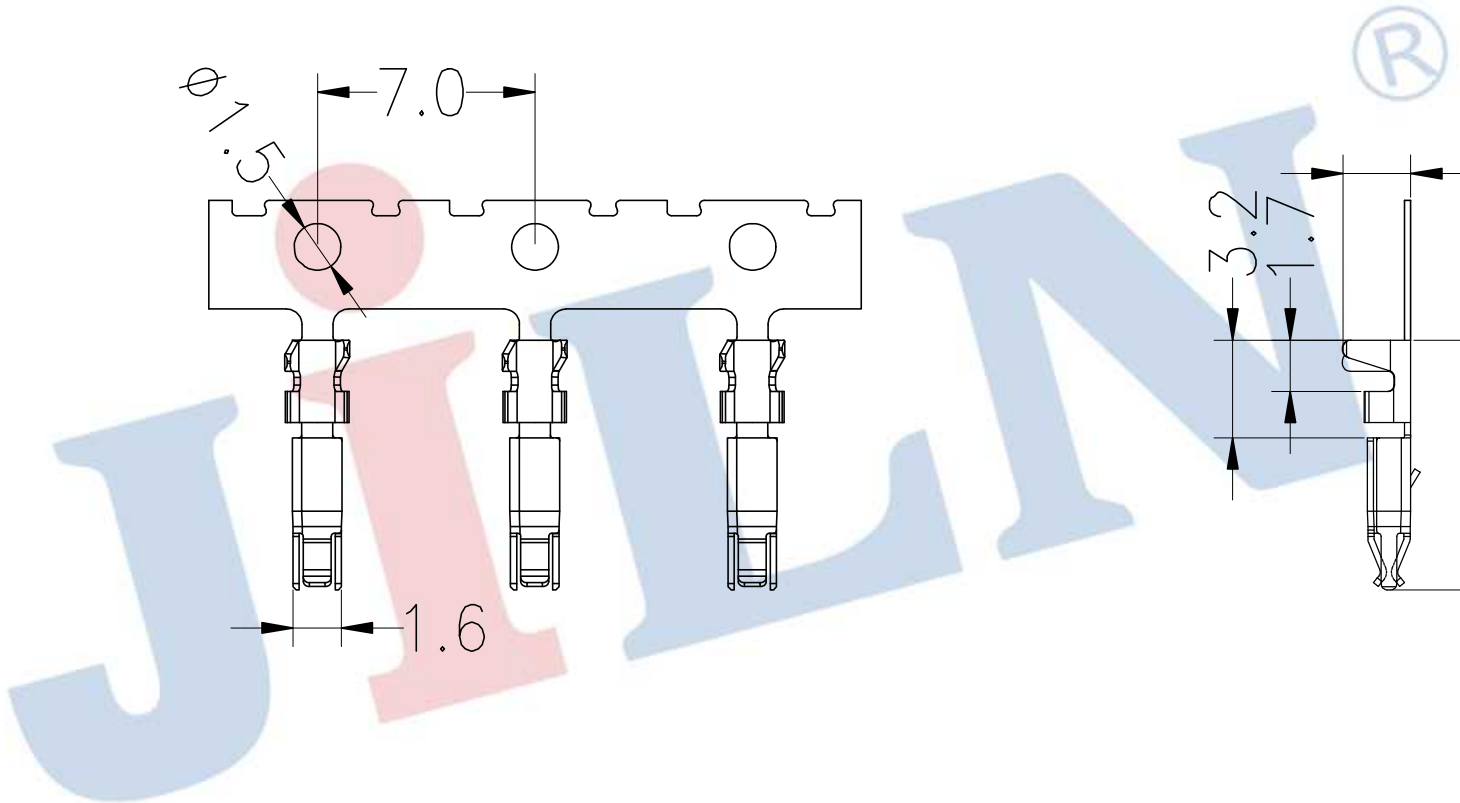
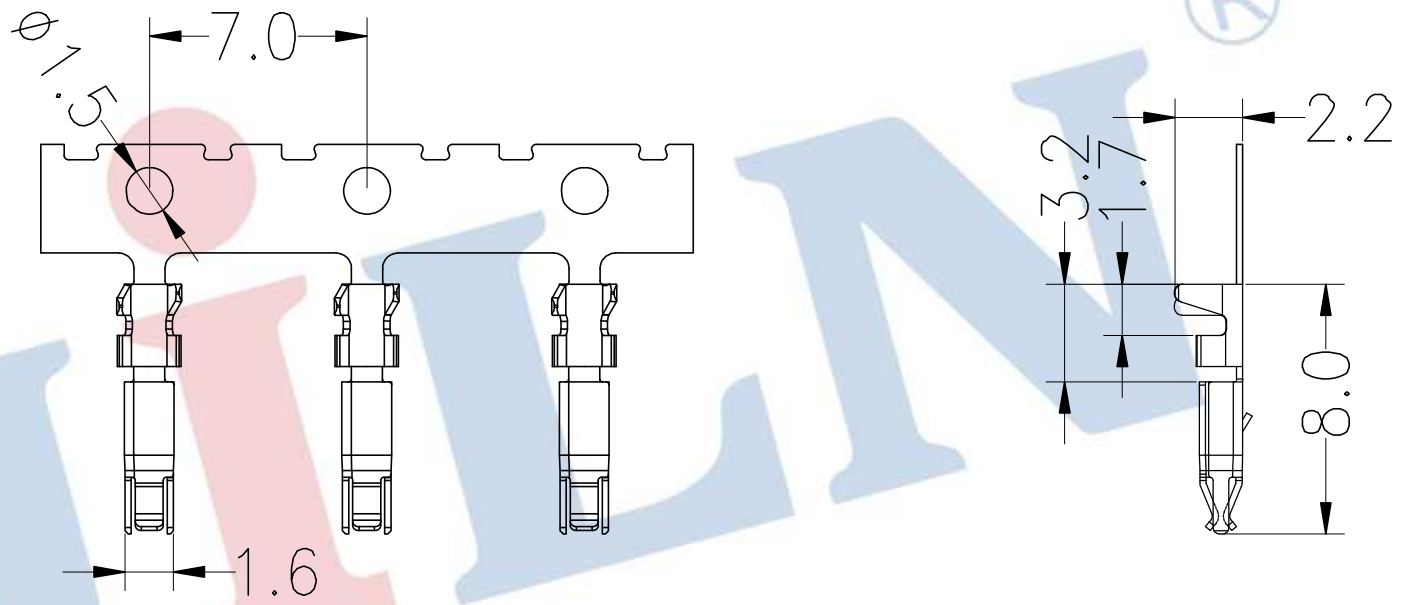
A0	2022.06.16	NEW DRAWING	CHANGE	OPERATION		DRAW	Jelly Feng	2022.08.12	SCALE	FIT
				X.X	±0.30					
				X.XX	±0.20	CHECK			UNIT	mm
				X.XXX	±0.10				SIZE	A4
REV	DATE	MODIFICATION DESCRIPTION		Angle	±3'	APPROVE			SHEET	1/1
				DIM	TOL				PROJ.	☯

JILN® 深圳市锦凌电子有限公司
 SHENZHEN JINLING ELECTRONICS CO.,LTD
 Tel: 86-755-27483253 Fax: 86-755-2997-5992

PART NO.	6353-07SG4PA02
TITLE:	伺服电机编码器线端7PI@connector

HSF RoHS

Material: Phosphor Bronze
 Plating: Au Over Ni



				OPERATION		DRAW	Jelly Feng	22.08.12	SCALE	FIT	JILN ® 深圳市锦凌电子有限公司 SHENZHEN JINLING ELECTRONICS CO.,LTD Tel: 86-755-27483253 Fax: 86-755-2997-5992		
				X.X	±0.30								CHECK
A	A0	2022.08.12	NEW DRAWING	X.XX	±0.20	APPROVE				SHEET	1/1	TITLE:	
	REV	DATE	MODIFICATION DESCRIPTION	CHANGE	Angle								±3°
					DIM	TOL							