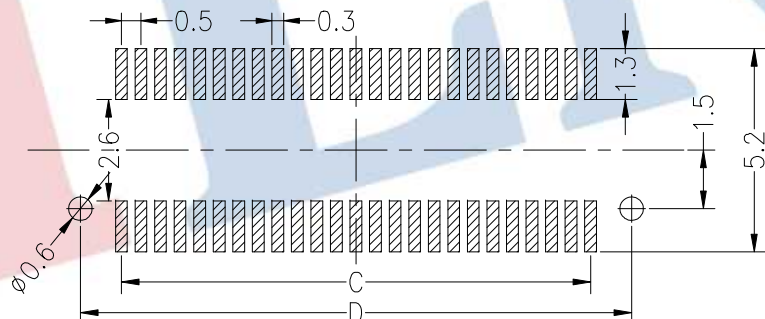
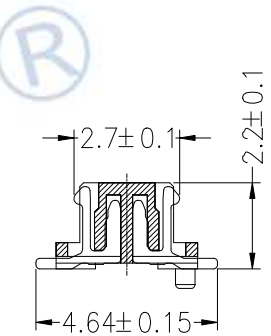
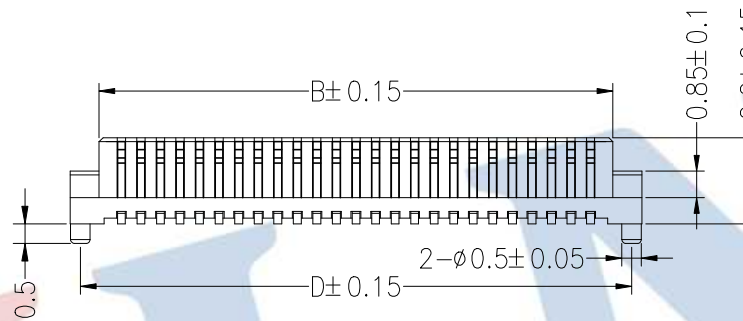
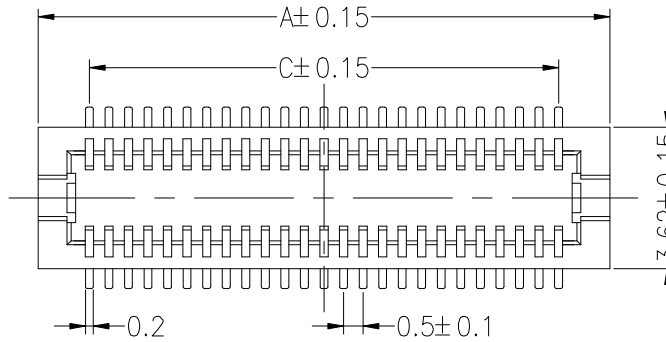


HSF RoHS

SPECIFICATIONS PERFORMANCE

Electical Rating: AC/DC 50V 0.5A
 Insulation Resistance: 500MΩ
 Withstang Volt: 200V AC/minute
 Opratng Temperature: -40°C to +105°C
 Material
 Contact: Phosphor Bronze Gold-Plated
 Housing: LCP/PA46
 Max.Processing Temp: 260°C±5°C 5S

| Dimension Table | | | | |
|-----------------|-------|-------|-------|-------|
| No Of Pins | Dim A | Dim B | Dim C | Dim D |
| 20 | 7.12 | 5.64 | 4.50 | 6.60 |
| 30 | 9.62 | 8.14 | 7.00 | 9.10 |
| 32 | 10.12 | 8.64 | 7.50 | 9.60 |
| 36 | 11.12 | 9.64 | 8.50 | 10.60 |
| 40 | 12.12 | 10.64 | 9.50 | 11.60 |
| 50 | 14.62 | 13.14 | 12.00 | 14.10 |
| 60 | 17.12 | 15.64 | 14.50 | 16.60 |
| 80 | 22.12 | 20.64 | 19.50 | 21.60 |
| 100 | 27.12 | 25.64 | 24.50 | 26.60 |



Recommended P.C.B Layout(Top Side)
 (PCB BOARD TOLERANCE±0.05)

Ordering Information

3720 M XXX 022 XX X X 0X

F=Female
 M=Male
 No.of pins
 20~100P
 Plastic Height
 022=2.2mm
 Contact Plating
 G0:Gold Flash
 G1:3U" Gold
 G2:5U" Gold
 G3:10U" Gold
 G4:15U" Gold
 G5:30U" Gold
 S0:Gold Flash/Tin
 Insulator Material Option
 D=PA46
 F=LCP
 Packing
 T:Tube
 R:Reel

| OPERATION | | DRAW | Jelly Feng | 2022.10.22 | SCALE | FIT |
|-----------|-------|---------|------------|------------|-------|-----|
| X.X | ±0.30 | | | | | |
| X.XX | ±0.20 | CHECK | | | UNIT | mm |
| X.XXX | ±0.10 | | | | | |
| Angle | ±3° | APPROVE | | | SHEET | 1/1 |
| DIM | TOL | | | | | |

JILN® 深圳市锦凌电子有限公司
 SHENZHEN JINLING ELECTRONICS CO.,LTD
 Tel: 86-755-27483253 Fax: 86-755-2997-5588

| REV | DATE | MODIFICATION DESCRIPTION | CHANGE |
|-----|------------|--------------------------|---------|
| A1 | 2022.9.6 | 修订PCB封装参考尺寸 | ChenWei |
| A0 | 2019.11.15 | NEW DRAWING | ChenWei |

PART NO. 3720MXXX022XXXX0X
 TITLE: 0.5BTB-NPIN H=2.2公座带柱无定位片