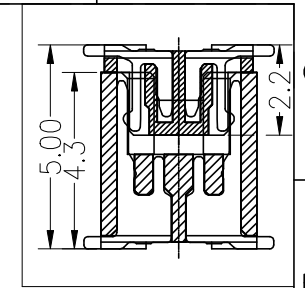
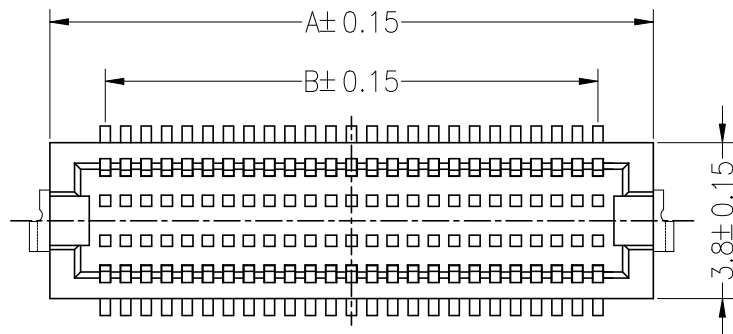


HSF RoHS

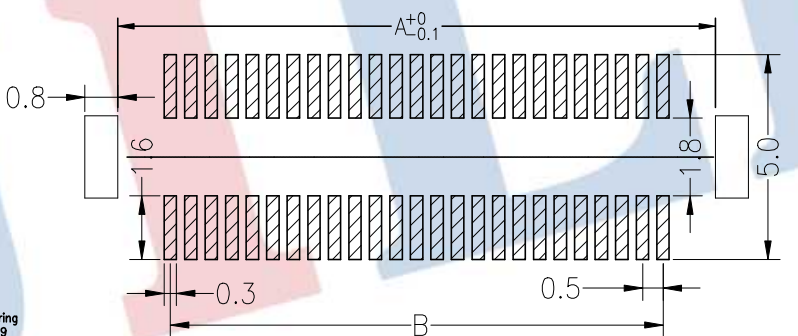
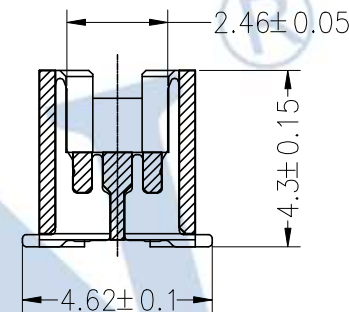
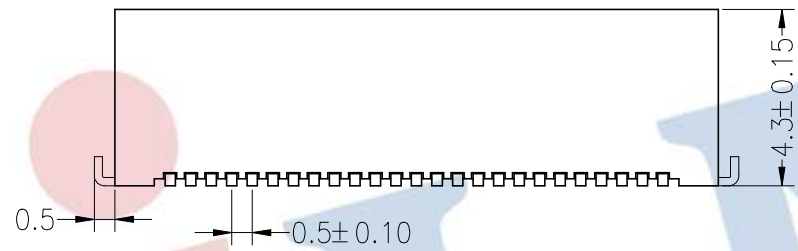
SPECIFICATIONS

PERFORMANCE

Current rating: 0.5A
 Voltage rating: 50V DC/AC RMS
 Insulation Resistance: 500MΩ Min
 Withstanding voltage: 200V AC/1 minute
 Contact Resistance: 30mΩ Max
 Operating Temperature: -40°C to +105°C
 Contact Material: Phosphor Bronze
 Contact Plating: Au or Sn over Ni
 Insulation Material: PA46, UL94V-0
 Soldering temperature: 260°C±5° 5S



ASSEMBLY



Recommended P.C.B Layout(Top Side)
 (PCB BOARD TOLERANCE±0.05)

Dimension Table		
No Of Pins	Dim A	Dim B
20	7.20	4.50
30	9.70	7.00
32	10.20	7.50
36	11.20	8.50
40	12.20	9.50
50	14.70	12.00
60	17.20	14.50
80	22.20	19.50
100	27.20	24.50

Ordering Information

3720 F XXX 043 XX X X QX
 F=Female No. of pins Plastic Height Contact Plating Insulator Packing code string
 M=Male 20~100P 043=4.3mm G0:Gold Flash G1:3μ Gold G2:5μ Gold G3:10μ Gold G4:15μ Gold G5:30μ Gold S0:Gold Flash/Tin
 D=BK-PA46 F=BK-LCP T=Tube R=Reel 01~99

OPERATION		DRAW	Jelly Feng	22.07.02	SCALE	FIT
X.X	±0.30					
X.XX	±0.20	CHECK			UNIT	mm
X.XXX	±0.10				SIZE	A4
Angle	±3°	APPROVE			SHEET	1/1
DIM	TOL				PROJ.	◆

JILN 深圳市锦凌电子有限公司
 SHENZHEN JINLING ELECTRONICS CO.,LTD
 Tel: 86-755-27483253 Fax: 86-755-2997-5588

REV	DATE	MODIFICATION DESCRIPTION	CHANGE
A0	2022.07.02	NEW DRAWING	

PART NO.	3720FXX043XXXX0X
TITLE:	0.5BTB NPin H4.3母座无柱带定位片