

HSF RoHS

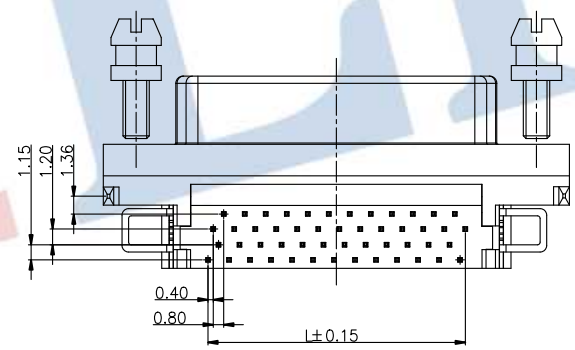
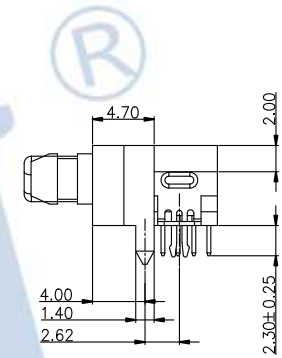
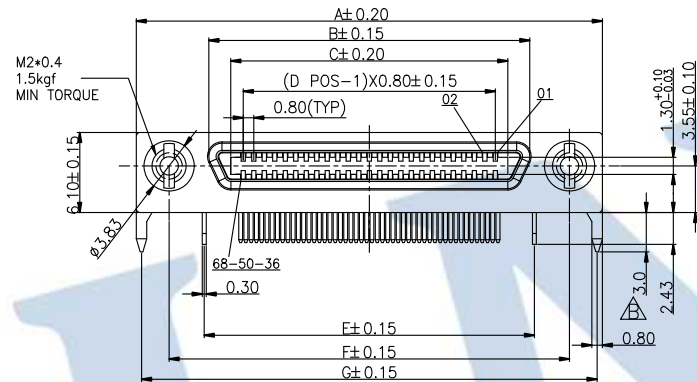
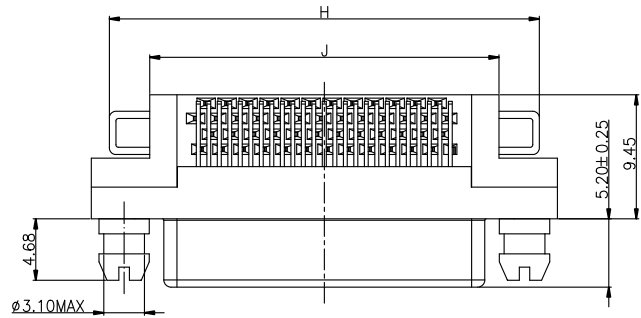
NOTE:

1. MATERIALS:

1. HOUSING: THERMOPLASTIC, UL 94V-0 RATED.
2. COVER: THERMOPLASTIC, UL 94V-0 RATED.
3. CONTACTS: COPPER ALLOY, SELECTIVE GOLD PLATED
4. SHELL: ZINC, NICKEL PLATED.
5. HARPOON: COPPER ALLOY, TIN OVER NICKEL

2. SPECIFICATION:

1. RATED CURRENT: 2.0A/CONTACT
2. INSULATION RESISTANCE: 500MOHM MIN.
3. DIELECTRIC WITHSTANDING VOLTAGE: 250V AC FOR 1 MINUTE.
4. OPERATING TEMPERATURE: -40°C TO +105°C



Ordering Information

6333 F 068 R D XX M N A 0 X

No. of Pins
68P

Connector Type
R=Right Angle

Contact Plating
G0:Gold Flash
S0:Gold Flash/Tin
S1:3U" Gold /Tin
S2:5U" Gold /Tin
S3:10U" Gold /Tin
S4:15U" Gold /Tin
S5:30U" Gold /Tin

Stream Code

NO OF POS.	A	B	C	D	E	F	G	H	J	L
68	43.00	31.65	28.20	34	32.35	37.70	41.90	39.80	34.40	26.80

REV	DATE	MODIFICATION DESCRIPTION	CHANGE	OPERATION		DRAW	YiYuSheng	20.08.22	SCALE	FIT	PART NO.	TITLE:
				X.X	±0.30				UNIT	mm		
B	2020.08.22	Change size 3.5 → 3.0mm		X.XX	±0.20	CHECK			SIZE	A4	6333-F068RDXXMNA0X	VHDCR 90度 68P 母头 LCP 黑色铆合锁 3.83*9.1mm M2圆头开口螺丝
A	2020.06.18	NEW DRAWING		X.XXX	±0.10	APPROVE			SHEET	1/2		
				Angle	±3°				PROJ.	☉		

JILN 深圳市锦凌电子有限公司
 SHENZHEN JINLING ELECTRONICS CO.,LTD
 Tel: 86-755-27483253 Fax: 86-755-2997-5992