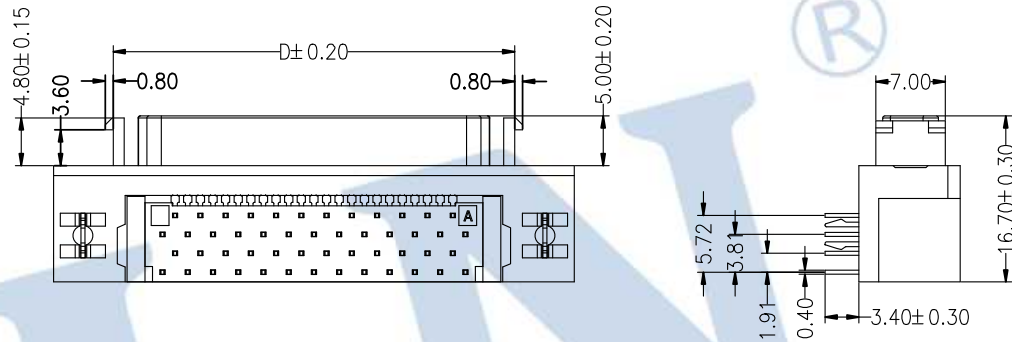
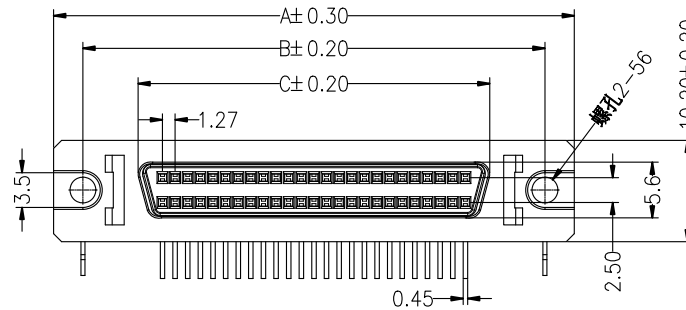


HSF RoHS

SPECIFICATIONS

Housing: Thermoplastic,UL94V-0 (PBT)
 Color: Black
 Contact:Copper Alloy
 Shell:Zinc Alloy
 Voltage Current Rating:1.0AMP.250V AC
 Insulation Resistance:500MΩ Min.
 Contact Resistance:35mΩ Max.
 Dielectric Withstanding Voltage:500V AC
 Temperature Range:-40° C to +105° C

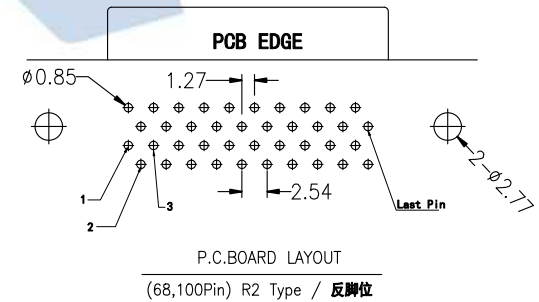
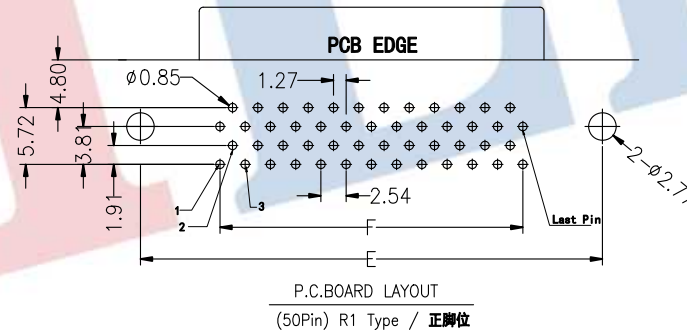
| No. of Pin | DIMENSIONS | | | | | |
|------------|------------|-------|-------|-------|-------|-------|
| | A | B | C | D | E | F |
| 50 | 52.43 | 46.50 | 34.70 | 40.30 | 46.50 | 30.48 |
| 68 | 63.86 | 57.93 | 46.13 | 51.32 | 57.93 | 41.91 |
| 100 | 84.18 | 78.23 | 66.45 | 71.50 | 78.23 | 62.23 |



Ordering Information

6311 F XXX R D XX MNA 0X

No. of Pins: 50P, 68P, 100P
 Connector Type: R=Right Angle
 Contact Plating: G0:Gold Flash, S0:Gold Flash/Tin, S1:3U" Gold /Tin, S2:5U" Gold /Tin, S3:10U" Gold /Tin, S4:15U" Gold /Tin
 流水码



| | | | | | | | | | | | | |
|-----|------------|--------------------------|--|-----------|-------|---------|-----------|----------|--------|--------------------|---|-----------------------------|
| | | | | OPERATION | | DRAW | YiYuSheng | 14.10.14 | SCALE | FIT | <p>JILN® 深圳市锦凌电子有限公司 SHENZHEN JINLING ELECTRONICS CO.,LTD Tel: 86-755-27483523 Fax: 86-755-2997-5588</p> | PART NO. 6311FXXXXRDXXMNA0X |
| | | | | X.X | ±0.30 | | | | UNIT | mm | | |
| | | | | X.XX | ±0.20 | CHECK | SIZE | A4 | | | | |
| | | | | X.XXX | ±0.10 | | SHEET | 1/1 | | | | |
| A0 | 2014.10.14 | NEW DRAWING | | Angle | ±3° | APPROVE | PROJ. | ◆ | TITLE: | SCSI DB Female 90° | | |
| REV | DATE | MODIFICATION DESCRIPTION | | DIM | TOL | | | | | | | |