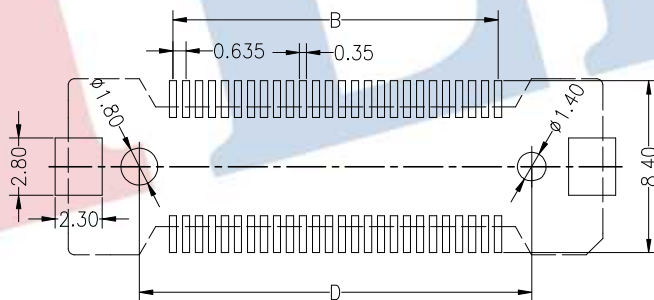
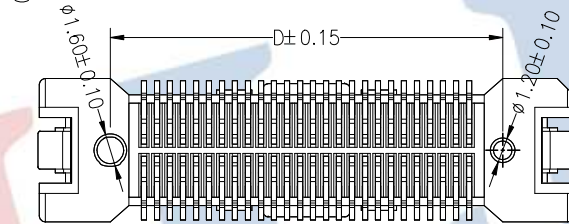
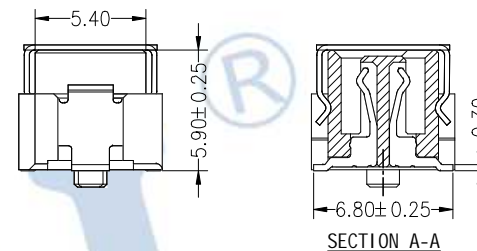
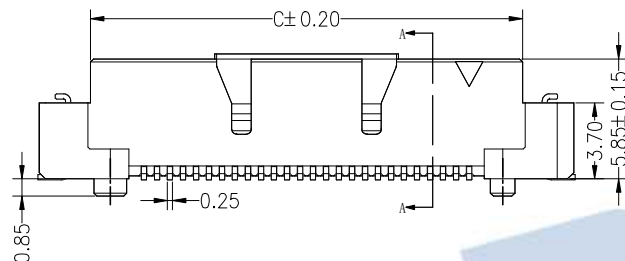
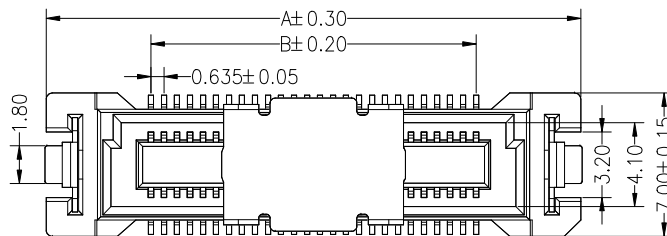


HSF RoHS

SPECIFICATIONS
PERFORMANCE

Electical Rating: AC/DC 50V 0.5A
 Insulation Resistance: 500MΩ
 Withstang Volt: 200V AC/minute
 Opratng Temperature: -40°C to +105°C
 Material
 Contact: Phosphor Bronze
 Plating: Au or Sn Over Ni
 Housing: LCP
 Max.Processing Temp: 260°C±5° 5S



P.C.B Layout

Ordering Information

3722 M XXX 059 XX X X 0X

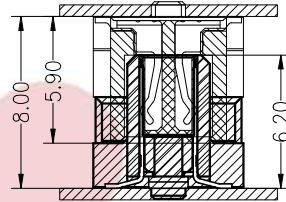
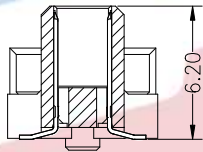
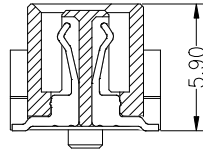
F=Female
M=Male
No.of pins
30,40,
50,52P
Plastic Hight
059=5.9mm
Contact Plating
G0:Gold Flash
G1:3U" Gold
G2:5U" Gold
G3:10U" Gold
G4:15U" Gold
S0:1.5U" Gold/Tin
S1:3U" Gold/Tin
Insulator
Material
Option
D=BK-PA46
E=BK-PA9T
F=BK-LCP
Packing
T:Tube
R:Reel

No Of Pins	Dimensions (mm)			
	A	B	C	D
30	19.18	8.89	14.18	12.18
40	22.35	12.07	17.35	15.35
50	25.53	15.24	20.53	18.53
52	26.16	15.88	21.16	19.16

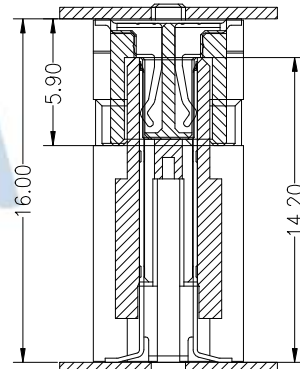
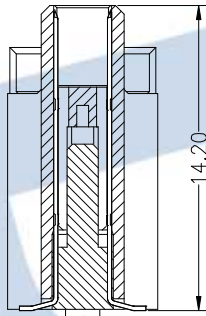
A	AO	2022.12.17	NEW DRAWING	CHANGE	OPERATION	DRAW	Jelly Feng	2022.12.17	SCALE	FIT	JILN ® 深圳市锦凌电子有限公司 SHENZHEN JINLING ELECTRONICS CO.,LTD Tel: 86-755-27483253 Fax: 86-755-2997-5588
	REV	DATE	MODIFICATION DESCRIPTION		X.X ±0.30	CHECK			UNIT	mm	
					X.XX ±0.20	APPROVE			SIZE	A4	
					X.XXX ±0.10				SHEET	1/1	
				Angle ±3°				PROJ.		PART NO.	3722MXXX059XXXX0X
				DIM TOL						TITLE:	0.635mm BTB NPin H5.9 Male (PLC专用)

公座 (Male)

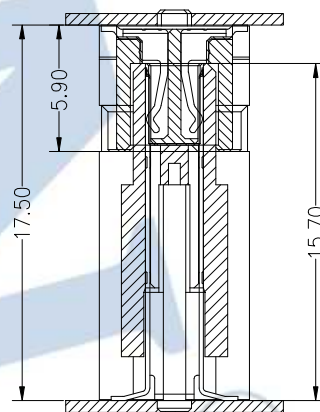
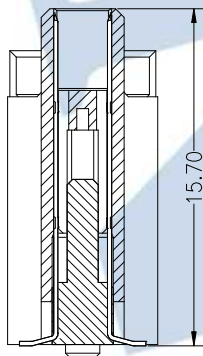
母座 (Female)



MATING DRAW REF



MATING DRAW REF



MATING DRAW REF

				DRAW	Jelly Feng	22.12.17	SCALE	FIL	JILN 深圳市锦凌电子有限公司 SHENZHEN JINLING ELECTRONICS CO.,LTD Tel: 86-755-27483253 Fax: 86-755-2997-5588	
				CHECK			UNIT	mm		
A	22.12.17	NEW DRAWING		APPROVE			SIZE	A4	PART NO	3722XXXXXXXXXXXX
REV	DATE	MODIFICATION DESCRIPTION	CHANGE				SHEET	1/1	TITLE	0.635mm BTB Mating Drawing (PLC专用)