

HSF RoHS

SPECIFICATIONS

Rated Current:1.0Amp
 Contact Resistance:35mΩ Max
 Withstand Voltage:500V AC/DC
 Insulation Resistance:500MΩ Min
 Operation Temperature:-40°C to +105°C
 Wire Accomodation:30AWG

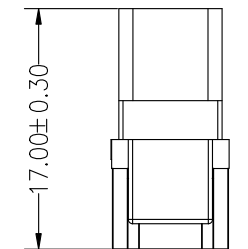
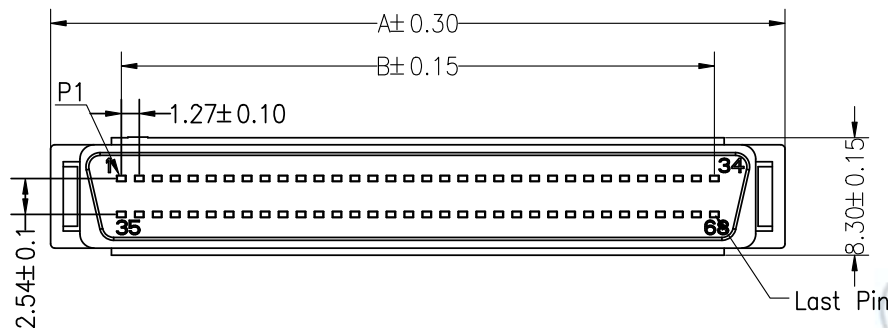
Contact Material:Phosphor Bronze
 Contact Area Plated:Au or Sn Over Ni
 Insulator Material:PBT (UL94V-0),Black

NO OF CONTACT	DIMENSIONS		
	A	B	C
50	40.47	30.48	40.17
68	51.90	41.91	51.60

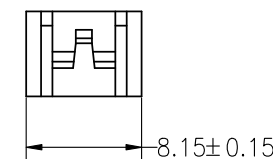
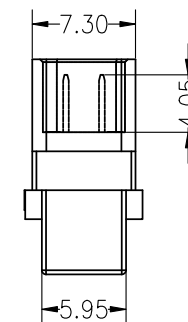
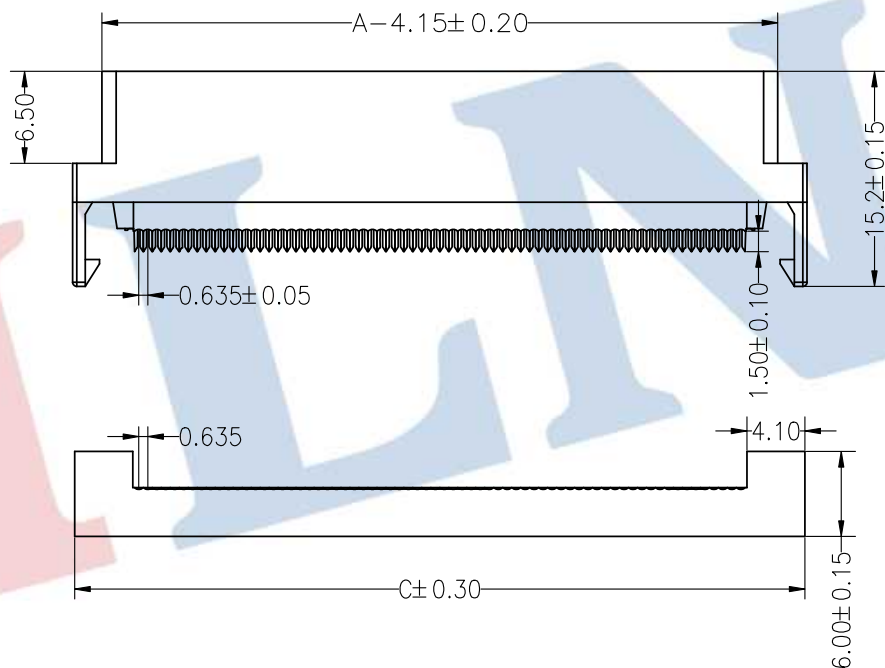
Ordering Information

6310-MXXX S I XX P N X 0 X

No.of Pins: 50,68P
 Connector Type: I=IDC Type
 Contact Plating:
 G0:Gold Flash
 S0:Gold Flash/Ni
 S1:3U" Gold /Ni
 S2:5U" Gold /Ni
 S3:10U" Gold /Ni
 S4:15U" Gold /Ni
 S5:30U" Gold /Ni
 Packing:
 T:Tube
 A:Tray



Assembly height



				OPERATION		DRAW	YiYuSheng	19.12.31	SCALE	FIT	JILN ® 深圳市锦凌电子有限公司 SHENZHEN JINLING ELECTRONICS CO.,LTD Tel: 86-755-27483253 Fax: 86-755-2997-5588	
				X.X	±0.30				UNIT	mm		
				X.XX	±0.20	CHECK			SIZE	A4	PART NO.	6310-MXXXSIXXPNX0X
A0	2019.12.31	NEW DRAWING		X.XXX	±0.10	APPROVE			SHEET	1/1	TITLE:	SCSI Male 50P/68P IDC-Type
REV	DATE	MODIFICATION DESCRIPTION	CHANGE	DIM	TOL			PROJ.				