

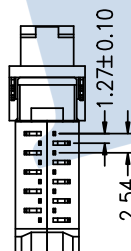
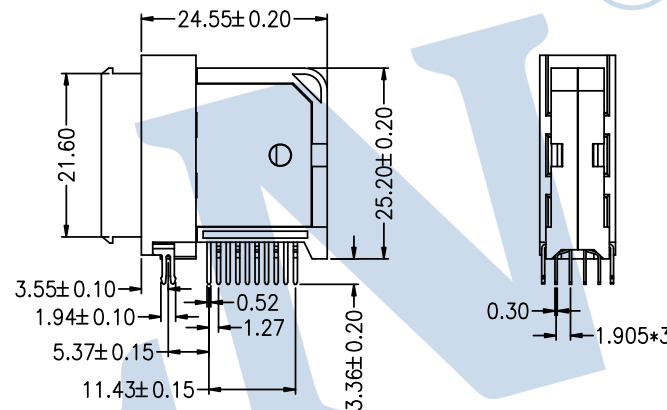
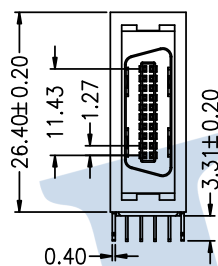
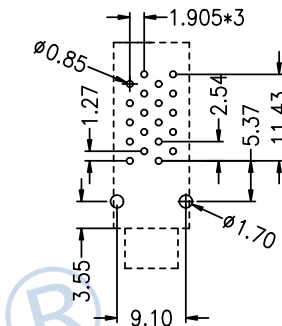
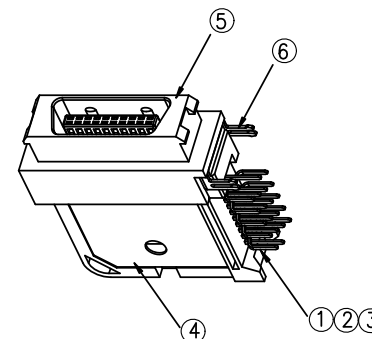
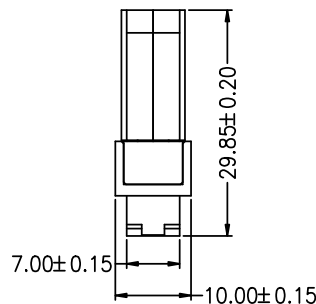
HSF RoHS

SPECIFICATIONS

Rated Current:1.0AMP
 Contact Resistance:35mΩ Max
 Withstand Voltage:500V AC/DC
 Insulation Resistance:500MΩ Min
 Operation Temperature:-40°C to +105°C

Contact Material:Phosphor Bronze
 Contact Area Plated:Au or Sn Over Ni
 Shell Material:Zinc copper
 Insulator Material:PBT (UL94V-0) Black
 Resistance To Soldering Heat:
 245° C±5° C, 10s(PBT insulator)

Recommended P.C.B Layout(Top Side)
 (PCB BOARD TOLERANCE±0.05)



Ordering Information

6331- M 020 R D XX MW T 0 X

No.of Pins
20P

Contact Plating
G4:3U" Gold
S2:3U" Gold /Tin

Packing
A:Tray
T:Tube

Pin No.	Specification	Material	Q'TY	UNIT
①	Molding胶芯A(molding plastic)	PBT	PCS	1
②	Molding胶芯B(molding plastic)	PBT	PCS	1
③	端子(terminal)	C5191-EH	PCS	20
④	塑胶外壳(plastic shell)	PBT	PCS	1
⑤	锌合金外壳(outside shell)	zinc	PCS	1
⑥	鱼叉(Harpoon)	Brass	PCS	2

A	REV	DATE	MODIFICATION DESCRIPTION	CHANGE	OPERATION		DRAW	YiYuSheng	20.04.27	SCALE	FIT	JILN® 深圳市锦凌电子有限公司	
					DIM	TOL						SHENZHEN JINLING ELECTRONICS CO.,LTD	Tel: 86-755-27483253 Fax: 86-755-2997-5588
					X.X	±0.30						UNIT	mm
					X.XX	±0.20	CHECK					SIZE	A4
A	2020.04.27		NEW DRAWING		X.XXX	±0.10						SHEET	1/1
					Angle	±3°	APPROVE					PROJ.	◆ ▯
												PART NO.	6331-M020RDXXMWT0X
												TITLE:	SM-PCR 20P male 侧插 90°

JILN® 深圳市锦凌电子有限公司	
SHENZHEN JINLING ELECTRONICS CO.,LTD	
Tel: 86-755-27483253 Fax: 86-755-2997-5588	
PART NO.	6331-M020RDXXMWT0X
TITLE:	SM-PCR 20P male 侧插 90°