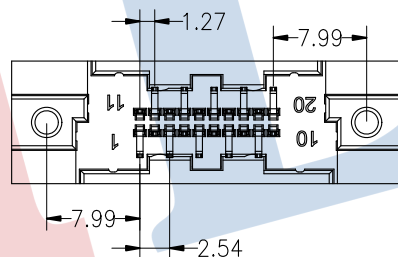
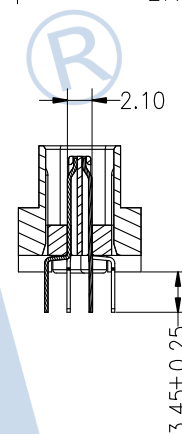
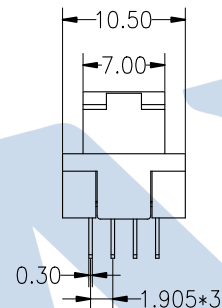
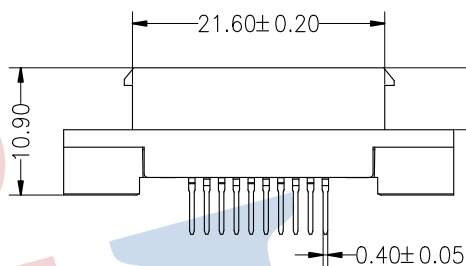
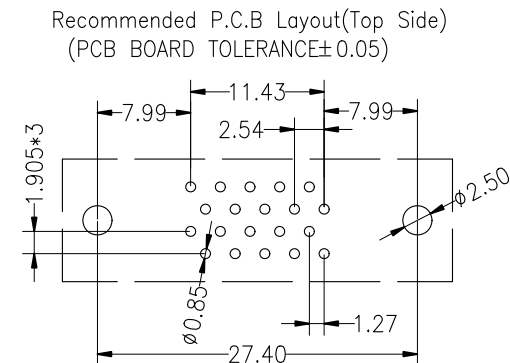
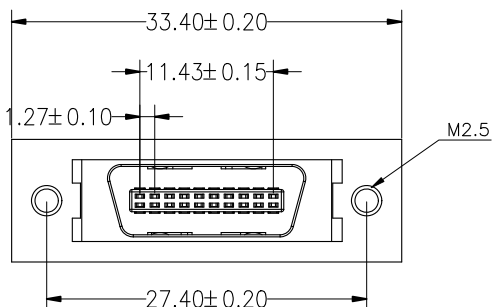
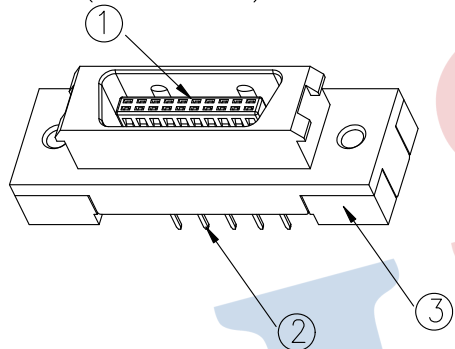


HSF RoHS

SPECIFICATIONS

Rated Current:1.0AMP
 Contact Resistance:35mΩ Max
 Withstand Voltage:500V AC/DC
 Insulation Resistance:500MΩ Min
 Operation Temperature:-40°C to +105°C

Contact Material:Phosphor Bronze
 Contact Area Plated:Au or Sn Over Ni
 Shell Material:Zinc copper
 Insulator Material:PBT (UL94V-0) Black
 Resistance To Soldering Heat:
 245° C±5° C, 10s(PBT insulator)



Ordering Information

6331-M 020 S D XX MN T O X

No.of Pins
20P

Contact Plating
G4:3U" Gold
S2:3U" Gold /Tin

Packing
A:Tray
T:Tube

Pin No.	Specification	Material	Q'TY	UNIT
①	胶芯 (plastic)	PBT	PCS	1
②	端子 (terminal)	C5191-EH	PCS	20
③	锌合金外壳 (outside shell)	zinc	PCS	1

REV	DATE	MODIFICATION DESCRIPTION	CHANGE	OPERATION		DRAW	YiYuSheng	20.09.26	SCALE	FIT	JILN ® 深圳市锦凌电子有限公司 SHENZHEN JINLING ELECTRONICS CO.,LTD Tel: 86-755-27483253 Fax: 86-755-2997-5588	
				X.X	±0.30				UNIT	mm		
A	2020.09.26	NEW DRAWING		X.XX	±0.20	CHECK			SIZE	A4	PART NO.	6331-M020SDXXMNTOX
				X.XXX	±0.10	APPROVE			SHEET	1/1	TITLE:	SM-PCR 20P male 180°
				Angle	±3°				PROJ.	☉		
				DIM	TOL							