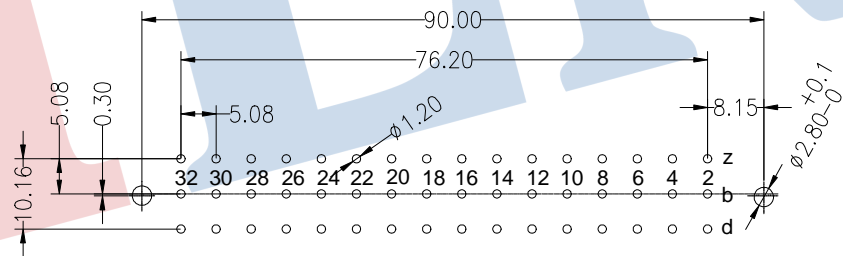
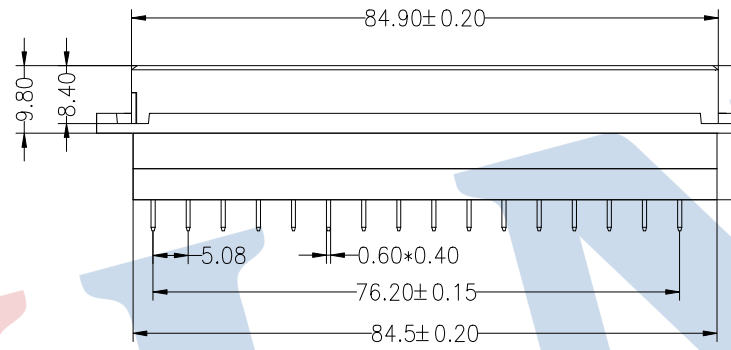
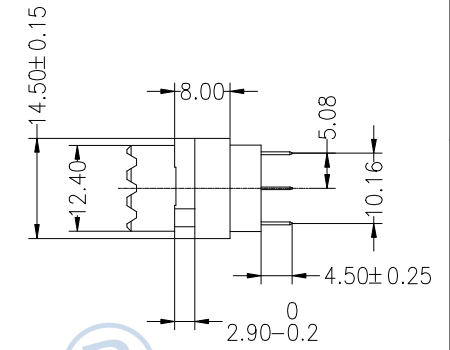
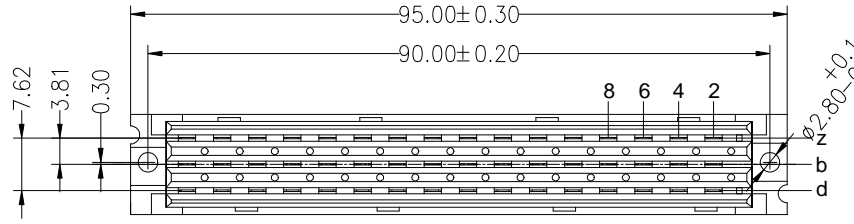


**HSF RoHS**

**SPECIFICATIONS**

Current rating: 5.6AMP.  
 Contact resistance: 15mΩ max. at 100mA DC  
 Insulation resistance: 1000MΩ min. at 500V DC  
 Dielectric withstanding voltage: 1500V AC For 1minute  
 Operating temperature: -55°C TO +125°C

Contact Material:Copper Alloy  
 Contact Plating:Au or Sn Over Ni  
 Insulator Material:Polyester(UL94V-0)  
 Standard: PBT  
 Max.Processing Temp: 245°C±5°C For 5 Second



Recommended P.C.B Layout(Top Side)  
 (PCB BOARD TOLERANCE±0.05)



**Ordering Information**

**35133 48 A F S XX B N A X**

No.of Pins: 48PIN  
 Contact Type: F=Female  
 Contact Plating: G0:Gold Flash, S0:Gold Flash/Tin, S1:3U" Gold/Tin, S2:5U" Gold/Tin, S3:10U" Gold/Tin, S4:15U" Gold/Tin, S5:30U" Gold/Tin, SN:Tin  
 Stream Code

				OPERATION		DRAW	Jelly Feng	2023.03.29	SCALE	FIT	<b>JILN</b> ® 深圳市锦凌电子有限公司 SHENZHEN JINLING ELECTRONICS CO.,LTD Tel: 86-755-27483253 Fax: 86-755-2997-5588	
				X.X	±0.30				UNIT	mm		
				X.XX	±0.20	CHECK			SIZE	A4	PART NO.	
				X.XXX	±0.10						351348AFSXXBNAX	
A0	2023.03.29	NEW DRAWING		Angle	±3°	APPROVE			SHEET	1/1	TITLE:	
REV	DATE	MODIFICATION DESCRIPTION		DIM	TOL						DIN 41612 of 5.08mm pitch large current F-type high plastic	