

# HSF RoHS

## NOTES:

1. Operation Temperature: -40° C to +105° C.
2. Contact Resistance: 50mΩ Max.
3. Insulation Resistance: 1000MΩ Min .
4. Withs tangding voltage: AC 500V.
5. Insulator Material: Polymer (ULV-0).  
Standard: PBT Black
6. Contact Material: Phosphor bronze
7. Contact : 3u" Gold/Tin Platig on contact area  
80-120u". tin-Lead Plating on soldertails.  
30-50u". Nickel underplating over all.  
PEG : 80-120u". Tin-lead Plating on soldertails.  
30-50u". Nickel underplaing ovr all.

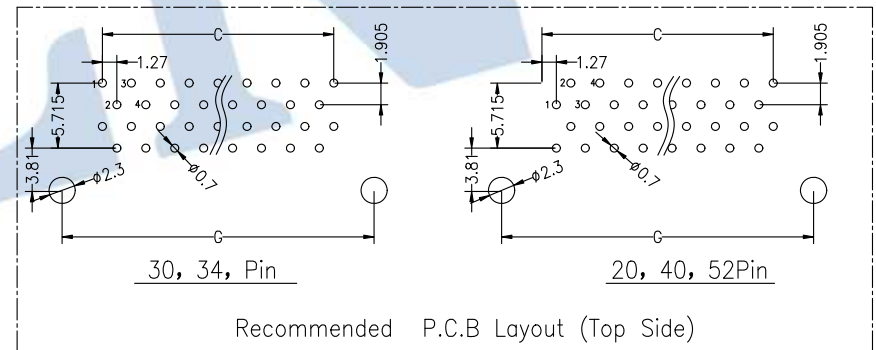
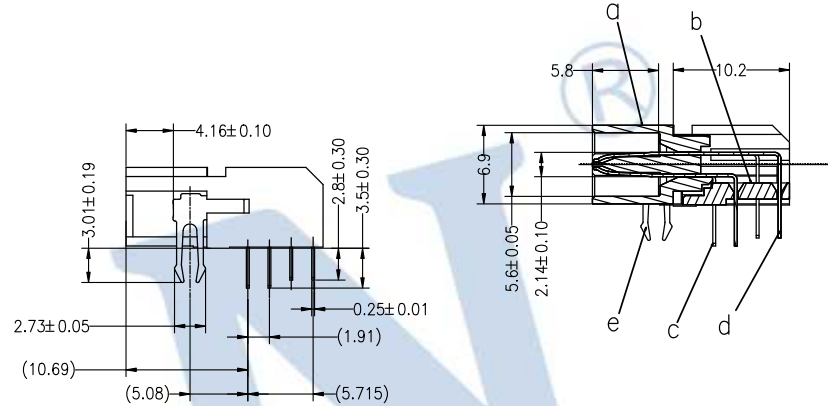
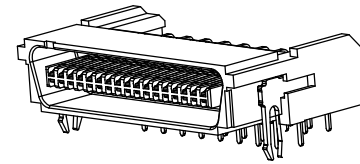
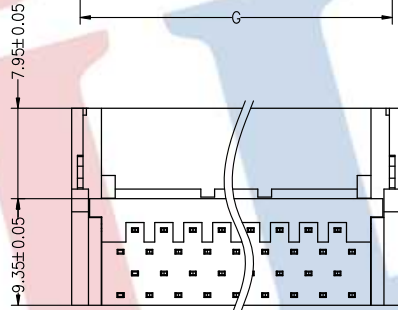
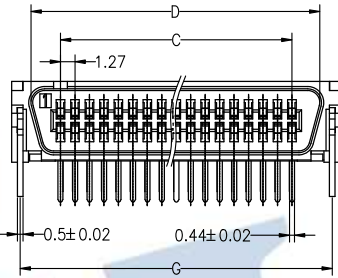
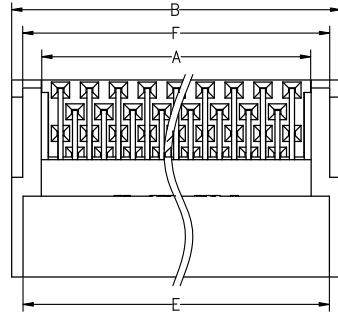
## Ordering Information

6310 MXXX R D XX PNA0X

No. of Pins	Connector Type R=Right Angle	Contact Plating
20P,30P,34P 40P,50P		G0:Gold Flash S0:Gold Flash/Tin S1:3U" Gold /Tin S2:5U" Gold /Tin S3:10U" Gold /Tin S4:15U" Gold /Tin S5:30U" Gold /Tin

Contacts Per ROW	Dimensions						
	A	B	C	D	E	F	G
20pin	14.81	20.01	11.43	16.65	18.11	18.06	18.54
30pin	21.16	26.36	17.78	23.00	24.46	24.41	24.89
34pin	23.70	28.90	20.32	25.56	27.00	26.95	27.43
40pin	27.55	32.71	24.13	29.32	30.81	30.76	31.24
52pin	35.13	40.33	31.75	36.94	38.43	38.38	38.86

ITEM	DESCRIPTION	MATERIAL	FINISH
a	Housing	PBT+GF25%	
b	cover	PBT+GF25%	
c	short terminal	C5191-H T=0.25	NI30-50u", Tin80-120u", Au 3u"
d	long terminal	C5191-H T=0.25	NI30-50u", Tin80-120u", Au 3u"
e	harpoon	C5191-H T=0.50	NI30-50u", Tin80-120u",



### OPERATION

X.X	±0.30
X.XX	±0.20
X.XXX	±0.10
Angle	±3°
DIM	TOL

DRAW	JinChengXin	18.09.25
CHECK		
APPROVE		

SCALE	FIT
UNIT	mm
SIZE	A4
SHEET	1/1
PROJ.	◆

PART NO.	6310MXXXRDXXPNA0X
TITLE:	SCSI MALE NPin All-Plastic 90°

A0	2018.09.25	NEW DRAWING						
REV	DATE	MODIFICATION DESCRIPTION	CHANGE					