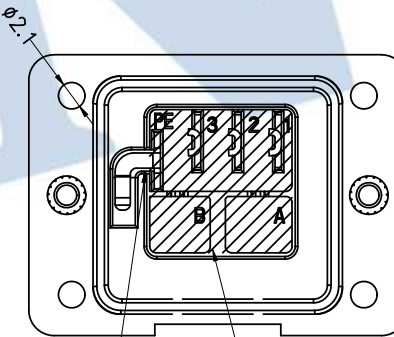
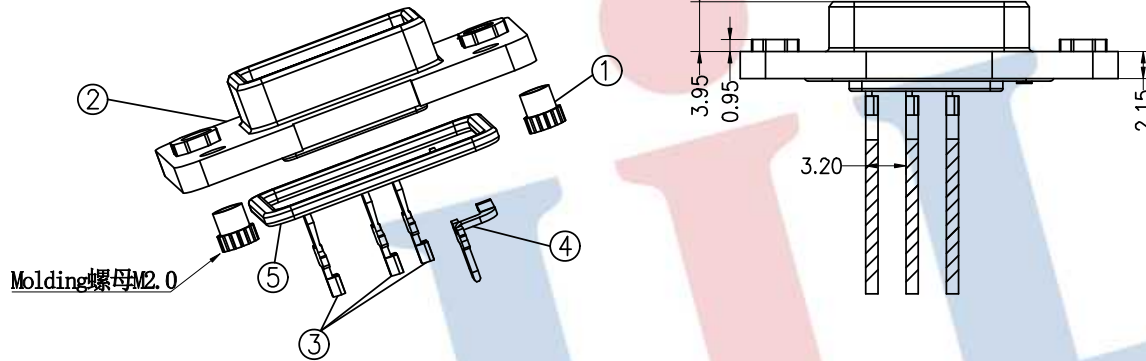
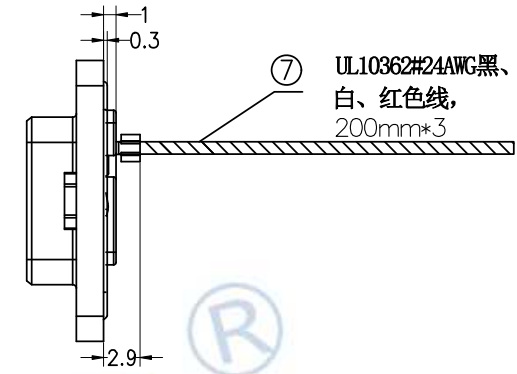
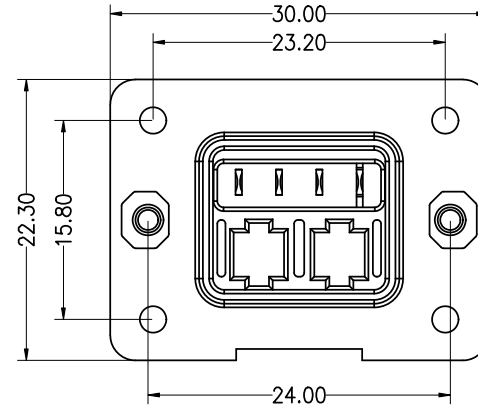


HSF RoHS

Note:

Current Rating: POWER CONTACT 7A ma.
 BRAKE CONTACT 1A ma.
 Voltage Rating: POWER CONTACT 200 VAC.
 BRAKE CONTACT 100 VAC.
 Insulation Resistance:>1000 M Ω at
 @500VDC
 Withstand Voltage:1500VAC for 1 minute
 Contact Resistance: 10 M Ω MAX
 Operation Temperature:-40°C to +105°C

Contact Material:Brass
 Contact Plating:Au or Sn Over Ni
 Insulator Material:Synthetic Resin (UL94V-0) Black



注意此处缺口位置不可有胶溢出

阴影部分打胶高度盖过端子平面, 不超过围栏高度.

NO	NAME	Q'TY	MATERIAL	DESCRIPTION	REMARKS
1	NUT	2	COPPER ALLOY	NATURAL COLOR	M2*0.4
2	HOUSING	1	Synthetic Resin	BLACK	
3	POWER CONTACT	3	COPPER ALLOY	PLATING GOLD	
4	GROUND CONTACT	1	COPPER ALLOY	PLATING GOLD	
5	SOCKET SEALING	1	SYNTHETIC RUBBER	YELLOW	
6	WIRE ROD	3	UL10362#24AWG	BLACK,WHITE,RED	

				OPERATION		DRAW	Tim Chu	2021.09.20	SCALE	FIT	JILN ® 深圳市锦凌电子有限公司 SHENZHEN JINLING ELECTRONICS CO.,LTD Tel: 86-755-27483253 Fax: 86-755-2997-5588	
				X.X	±0.30				UNIT	mm		
				X.XX	±0.20	CHECK	Ou Yang Hui	2021.09.20	SIZE	A4	PART NO. 6353-04BS1WA01 TITLE: 伺服电机动力焊线式底座4Pin连接器/防呆型/带线	
A0	2021.09.20	NEW DRAWING		X.XXX	±0.10	APPROVE	Wang Wei	2021.09.20	SHEET	1/2		
REV	DATE	MODIFICATION DESCRIPTION		CHANGE	DIM	TOL			PROJ.			