

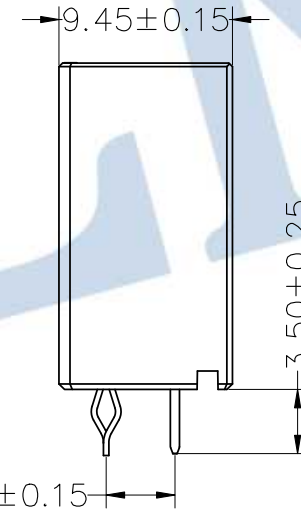
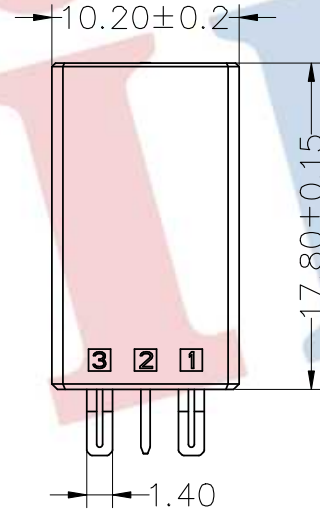
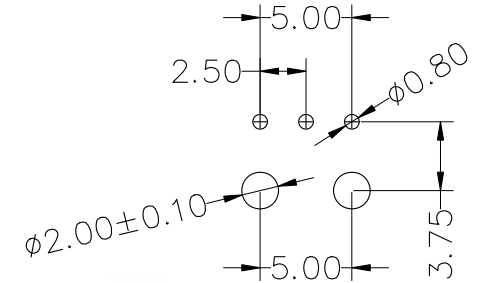
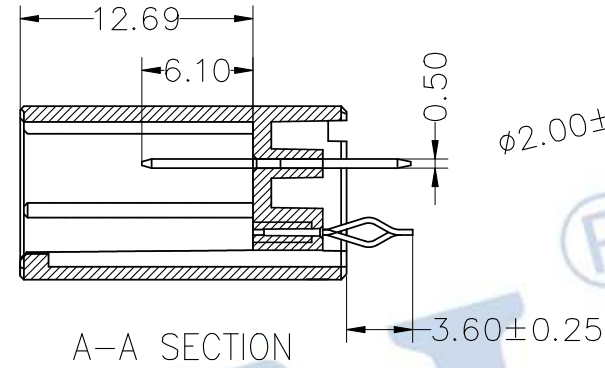
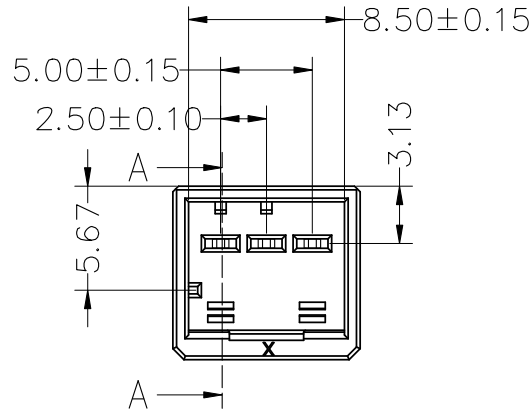
HSF RoHS

SPECIFICATIONS

Rated Current: 3.0AMP
 Contact Resistance: 20mΩ Max
 Withstand Voltage: 1000V AC/DC
 Insulation Resistance: 1000MΩ Min
 Operation Temperature: -40°C to +105°C

Contact Material: Phosphor Bronze
 Contact Plating: Au or Sn Over Ni
 Retention LEG: Copper Alloy
 Retention LEG Plating: Tin Over Ni
 Insulator Material: Polyester (UL94V-0)
 Resistance To Soldering Heat:
 245°C ±5°C, 10s (PBT insulator)
 260°C ±5°C, 10s (PA6T&PA9T&LCP insulator)

Recommended P.C.B Layout



Ordering Information

8600-1 03 XX A B 0 X

- No. of Pins
1x3P
- Contact Plating
G0: Gold Flash
G1: 3U" Gold
G2: 5U" Gold
G3: 10U" Gold
G4: 15U" Gold
G5: 30U" Gold
S0: Gold Flash/Tin
SN: Tin
SM: Matte-Tin
- Insulator Material
Option
A=BK-PBT
B=BK-PA66
C=BK-PA6T
D=BK-PA46
E=BK-PA9T
F=BK-LCP

				OPERATION		DRAW	YiYuSheng	19.02.15	SCALE	FIT	JILN ® 深圳市锦凌电子有限公司 SHENZHEN JINLING ELECTRONICS CO.,LTD Tel: 86-755-27483253 Fax: 86-755-2997-5588	
				X.X	±0.30				UNIT	mm		
				CHECK				SIZE	A4	PART NO.	8600-103XXABOX	
A0	2019.02.15	NEW DRAWING		APPROVE				SHEET	1/1	TITLE:	2.50mm 带围墙单排3Pin针座	
REV	DATE	MODIFICATION DESCRIPTION		CHANGE	DIM	TOL	APPROVE	PROJ.	客户规格:	A型单排3芯公针(1318123-1)		