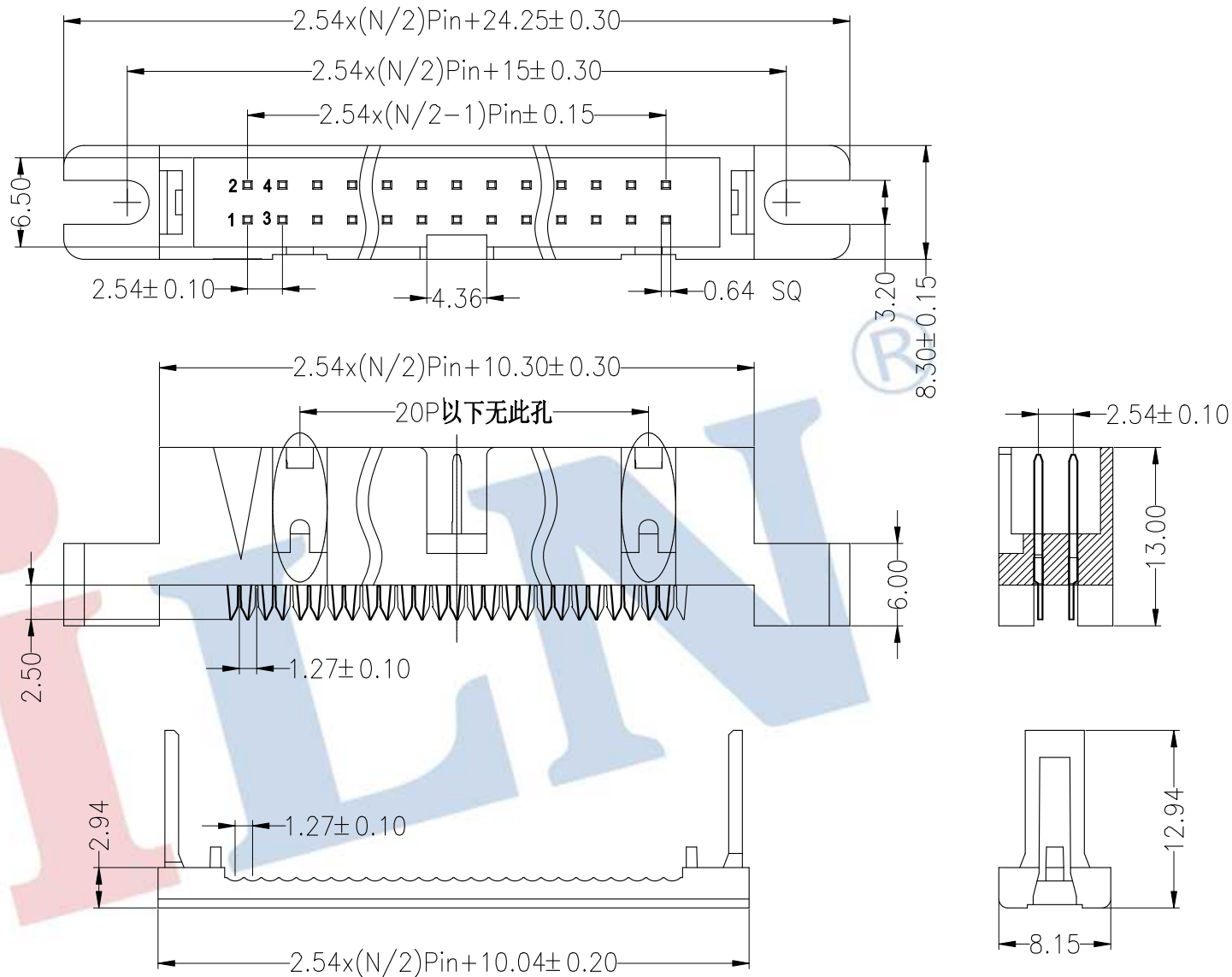


**HSF RoHS**

**SPECIFICATIONS**

Rated Current: 3.0AMP  
 Contact Resistance: 20mΩ Max  
 Withstand Voltage: 1000V AC/DC  
 Insulation Resistance: 1000MΩ Min  
 Operation Temperature: -40°C to +105°C

Contact Material: Brass  
 Contact Plating: Au or Sn Over Ni  
 Insulator Material: Polyester (UL94V-0)  
 Resistance To Soldering Heat:  
 245°C ± 5°C, 10s (PBT insulator)



**Ordering Information**

**3910 XX XX W X N 0X**

No. of Pins Per Row: 6--64  
 Contact Plating:  
 G0: Gold Flash  
 G1: 3U" Gold  
 G2: 5U" Gold  
 G3: 10U" Gold  
 S0: Gold Flash/Ni  
 NN: Ni  
 Insulator Color:  
 B=Black  
 G=Grey

				OPERATION		DRAW	YiYuSheng	12.03.28	SCALE	FIT	<b>JILN</b> ® 深圳市锦凌电子有限公司 SHENZHEN JINLING ELECTRONICS CO.,LTD Tel: 86-755-27483253 Fax: 86-755-2997-5588	
				X.X	± 0.30				UNIT	mm		
				X.XX	± 0.20	CHECK			SIZE	A4	PART NO.	3910XXXXWXNOX
				X.XXX	± 0.10				SHEET	1/1	TITLE:	2.54mm 压排式 筒牛 带定位孔 Npin
REV	DATE	MODIFICATION DESCRIPTION	CHANGE	ANGLE	± 3°	APPROVE			PROJ.	Φ		
				DIM	TOL							