

# HSF RoHS

Note:

Current Rating: 1A ma.

Voltage Rating: 100 VAC.

Insulation Resistance: >1000 MΩ at @500VDC

Withstand Voltage: 500VAC for 1 minute

Contact Resistance: 10 MΩ MAX

Operation Temperature: -40° C to +125° C

applicable Cable:

AWG#24 to #22

Coated outer dia: 1.1 to 1.4 dia

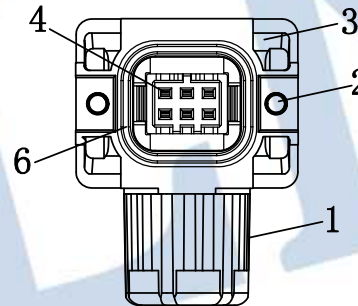
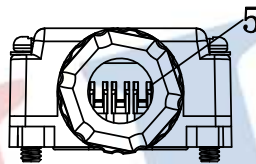
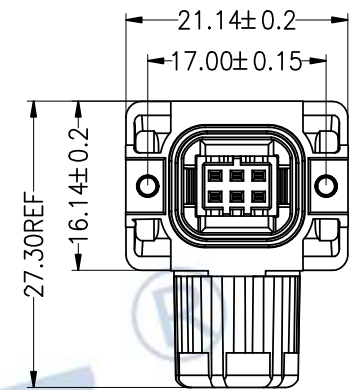
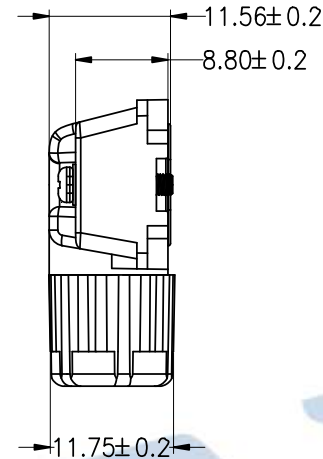
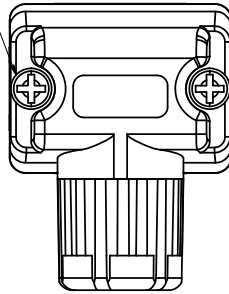
Cable outer dia: 5.0 to 5.4 dia

Contact Material: Brass

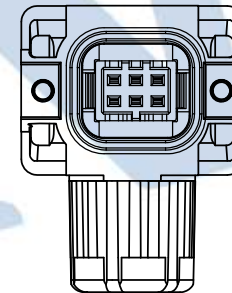
Contact Plating: Au or Sn Over Ni

Insulator Material: PBT (UL94V-0) Black

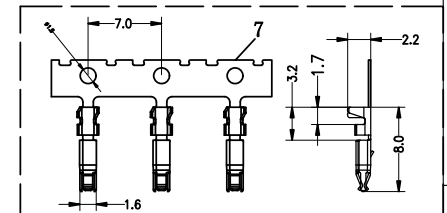
1. M2螺丝要求对应使用1#螺丝刀头。
2. 破坏扭力为0.3 N.m(Max), 建议使用扭力0.15 ±0.015N.m.



正向出线样式



反向出线样式



端子需单独购买  
 产品用量: 6pcs  
 端子料号: 202.635300201P01  
 包装数量: 8000pcs/盘

NO	NAME	Q' TY	MATERIAL	DESCRIPTION	REMARKS
1	Plastic nut	1	PA66 UL94V-0	BLACK	
2	NUT	2	COPPER ALLOY	NATURAL COLOR	M2*0.4
3	HOUSING	1	PBT UL94V-0	BLACK	
4	Terminal	7	COPPER ALLOY	PLATING GOLD	
5	SOCKET SEALING	1	Rubber	Black	
6	SOCKET SEALING	1	SYNTHETIC RUBBER	YELLOW	
7	Brake Contact	7	Copper Alloy	Plating Gold	

REV	DATE	MODIFICATION DESCRIPTION	CHANGE	OPERATION		DRAW	Tim Chu	2022.11.29	SCALE	FIT
				X.X	±0.30				UNIT	mm
				X.XX	±0.20	CHECK	Ou Yang Hui	2022.11.29	SIZE	A4
A0	2022.11.29	NEW DRAWING		X.XXX	±0.10				SHEET	1/1
				Angle	±3°	APPROVE	Wang Wei	2022.11.29	PROJ.	☉
				DIM	TOL				TITLE:	

**JILN**® 深圳市锦凌电子有限公司  
 SHENZHEN JINLING ELECTRONICS CO.,LTD

Tel: 86-755-27483253 Fax: 86-755-2997-5588

PART NO. 6353C-06S-AD-W00

TITLE: JM20S伺服电机动力插头 小6P直口