

**HSF RoHS**

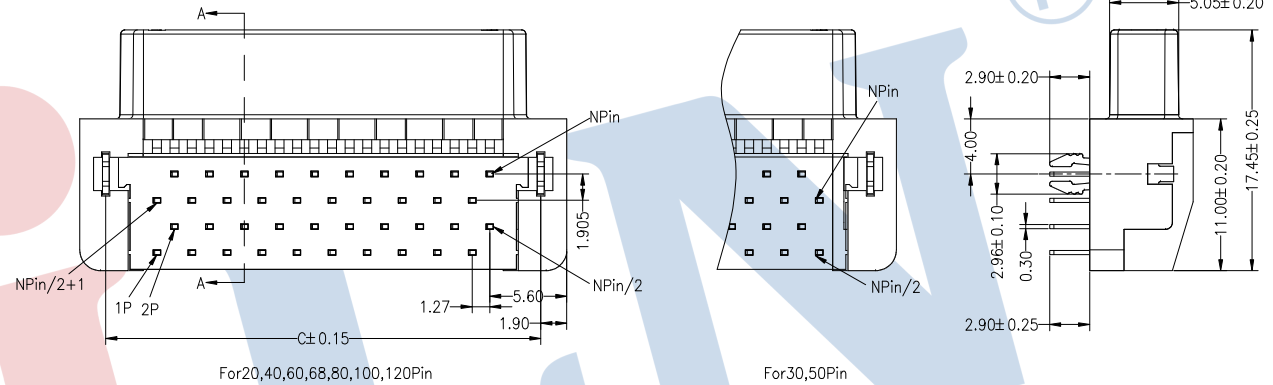
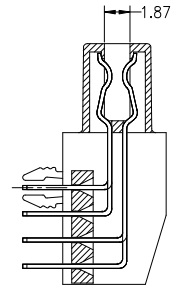
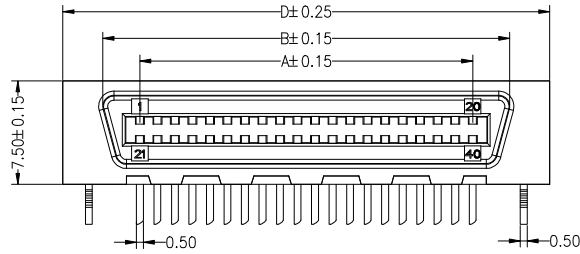
**SPECIFICATIONS**

Rated Current:1.0AMP  
 Contact Resistance:35mΩ Max  
 Withstand Voltage:500V AC/DC  
 Insulation Resistance:500MΩ Min  
 Operation Temperature:-40°C to +105°C

**MATERIAL:**

Contact Material:Phosphor bronze  
 Boardlocks:Brass  
 Insulator Material:LCP Polyester(UL94V-0)  
 Max.Processing Temp: 260°C±5°C For 5~10 Second

Connector Solder Tails Will Accommodate Printed  
 Circuit Board Thickness Of 0.80 To 1.60



**Ordering Information**

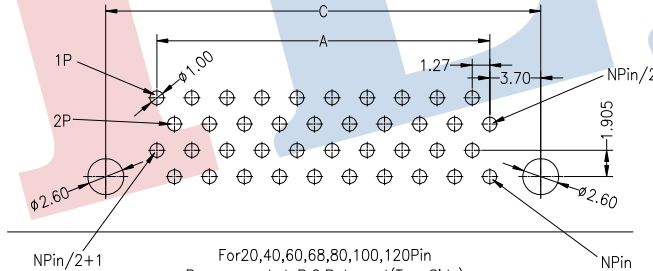
**6314 FXXX R D S2 P W A XX**

No.of Pins  
 20,30,40,50,  
 60,68,80,100,120P

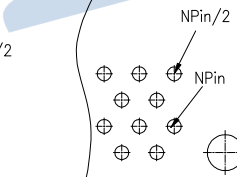
Connector Type  
 R:Right Angle

Contact Plating  
 G0:Gold Flash  
 S0:Gold Flash/Tin  
 S2:3U" Gold /Tin  
 S3:5U" Gold /Tin  
 S4:10U" Gold /Tin  
 S5:15U" Gold /Tin  
 S6:30U" Gold /Tin

Code Stream



For20,40,60,68,80,100,120Pin  
 Recommended P.C.B Layout(Top Side)  
 (PCB BOARD TOLERANCE±0.05)



For30,50Pin  
 Recommended P.C.B Layout(Top Side)  
 (PCB BOARD TOLERANCE±0.05)

No Of Pins	A	B	C	D
20	11.43	16.80	18.80	22.60
30	17.78	23.15	25.15	28.95
40	24.13	29.50	31.50	35.30
50	30.48	35.85	37.85	41.65
60	36.83	42.20	44.20	48.00
68	41.91	47.28	49.28	53.08
80	49.53	54.90	56.90	60.70
100	62.23	67.60	69.60	73.40
120	74.93	80.30	82.30	86.10

OPERATION		DRAW	Jelly Feng	2023.12.09
X.X	±0.30			
X.XX	±0.20	CHECK		
X.XXX	±0.10			
Angle	±3°	APPROVE		
DIM	TOL			

SCALE	FIT
UNIT	mm
SIZE	A4
SHEET	1/1
PROJ.	

**JILN®** 深圳市锦凌电子有限公司  
**SHENZHEN JINLING ELECTRONICS CO.,LTD**  
 Tel: 86-755-2997-5806/5802 Fax: 86-755-2997-5992

PART NO.	6314FXXXRDS2PWAXX
TITLE:	M-type SCSI Female NPin All-Plastic 90°

REV	DATE	MODIFICATION DESCRIPTION	CHANGE
A0	2023.12.09	NEW DRAWING	